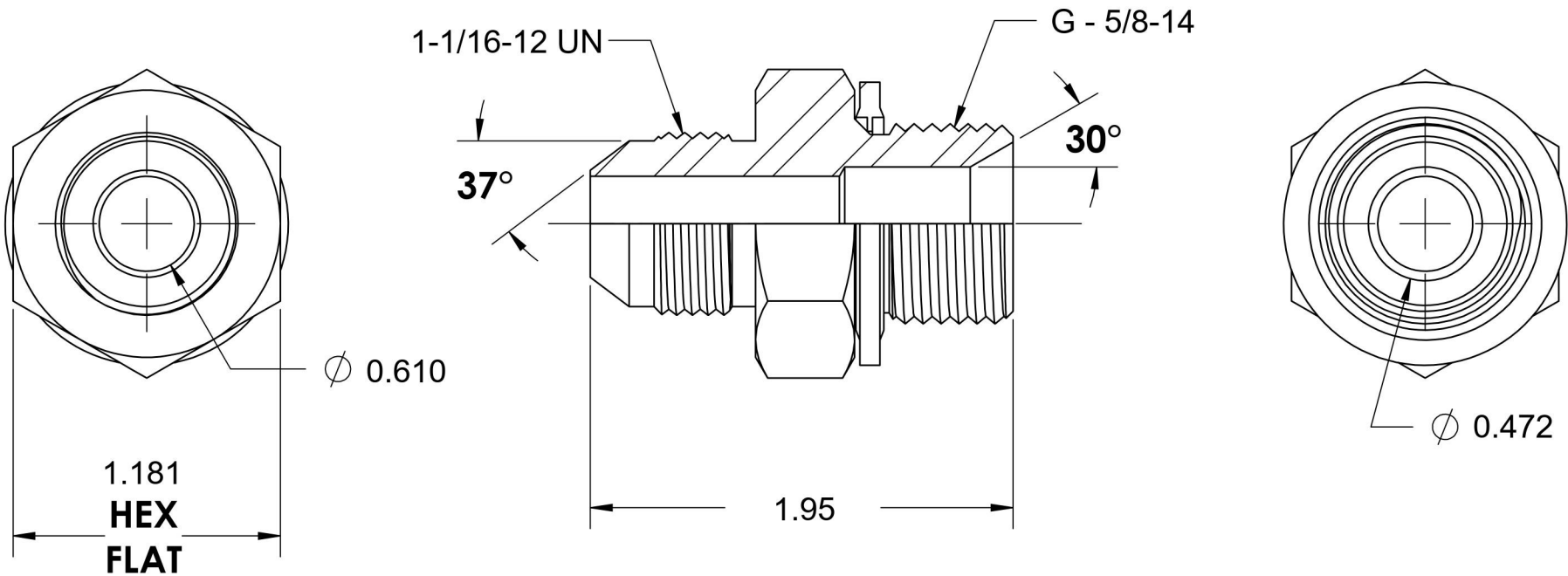


7002-12-10-BS

Steel, SAE J514 37° Flare BSPP Type (D) Bonded Seal Port/Line Adapter, 3/4" Male JIC x 5/8-14 Male BSPP 60° Line/Port



6701 Cochran Road
Solon, Ohio 44139
Phone: (440) 248-1880
Toll Free: 1-888-331-1523

Temperature Rating	-22°F to 257°F	Material	C1045/12L14 Steel	Industry Standards	SAE J514, ISO 1179	Series	7002-BS
Pressure Rating	2900 psi	Finish	Trivalent Zinc	ASTM B633		Series Description	SAE J514 37° Flare BSPP Type (D) Bonded Seal Port/Line Adapter