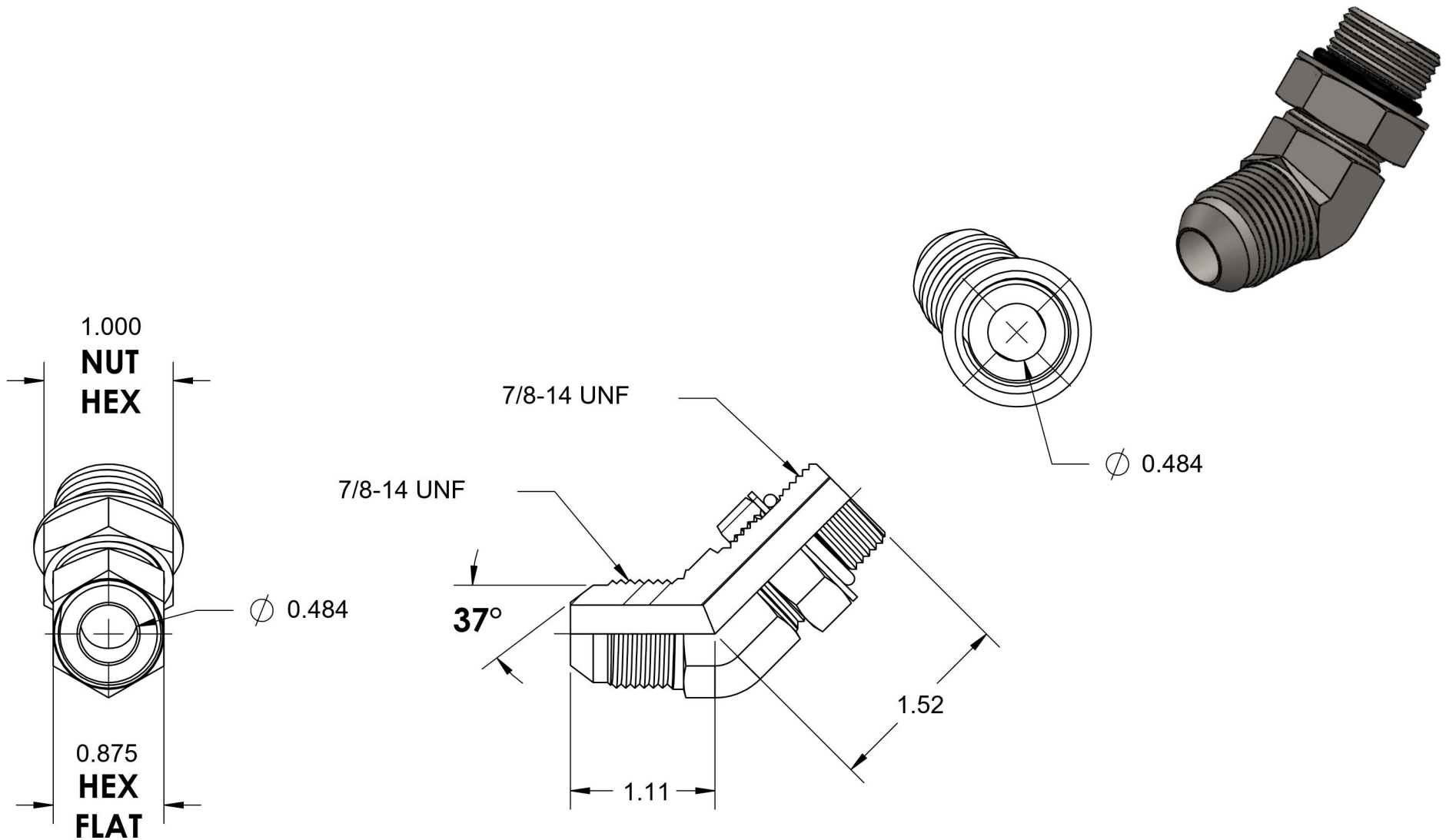


# 6802-10-10-NWO-SS

Stainless Steel, SAE J514 37° Flare 45° Adjustable Port Elbow, 5/8" Male JIC x 7/8-14 Male Adjustable ORB



6701 Cochran Road  
Solon, Ohio 44139  
Phone: (440) 248-1880  
Toll Free: 1-888-331-1523

<b>Temperature Rating</b> -40°F to 250°F	<b>Material</b> 316/316L Stainless Steel	<b>Industry Standards</b> SAE J514, SAE J1926-3 SAE J515	<b>Series</b> 6802-NWO-SS
<b>Pressure Rating</b> 5400 psi	<b>Finish</b> Passivated		<b>Series Description</b> SAE J514 37° Flare 45° Adjustable Port Elbow