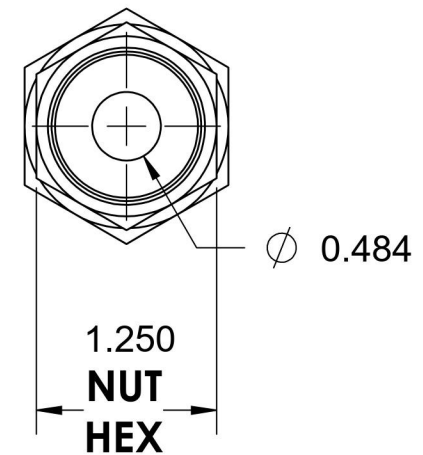
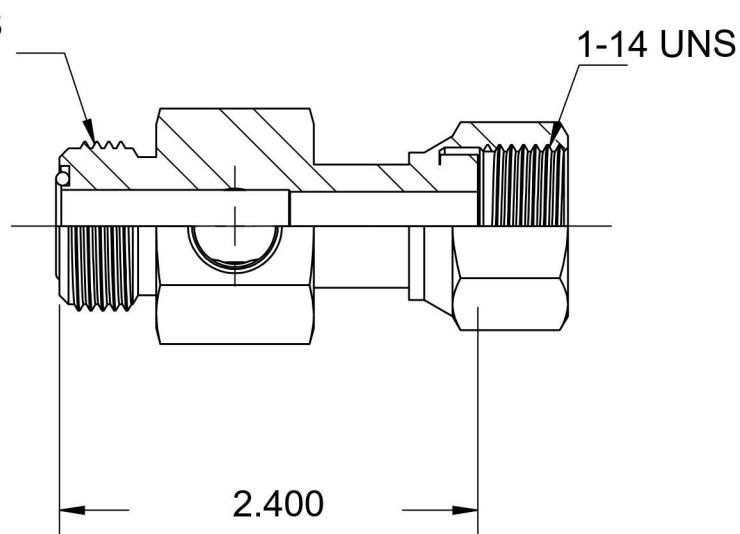
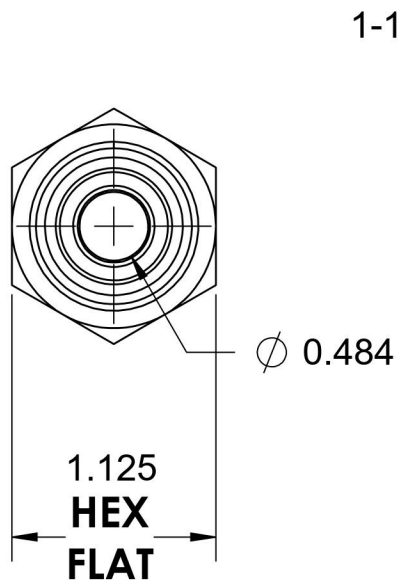
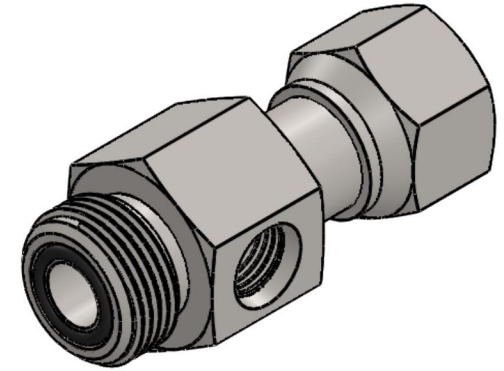
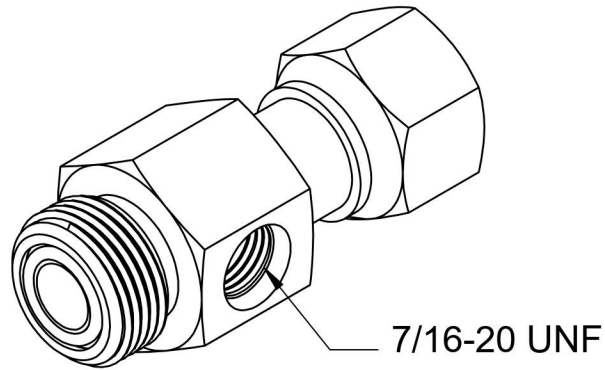


# FS6564-10-10-04

Steel, SAE J1453 O-Ring Face Seal Swivel Adapter ORB Diagnostic Port, 5/8" Male ORFS x 5/8" Female ORFS Swivel



6701 Cochran Road  
Solon, Ohio 44139  
Phone: (440) 248-1880  
Toll Free: 1-888-331-1523

**Temperature Rating**

-40°F to 250°F

**Pressure Rating**

6000 psi

**Material**

C1045/12L14 Steel

**Finish**

Trivalent Zinc

**Industry Standards**

SAE J1453, SAE J1926-1  
ASTM B633

**Series**

FS6564

**Series Description**

SAE J1453 O-Ring Face Seal Swivel Adapter  
ORB Diagnostic Port