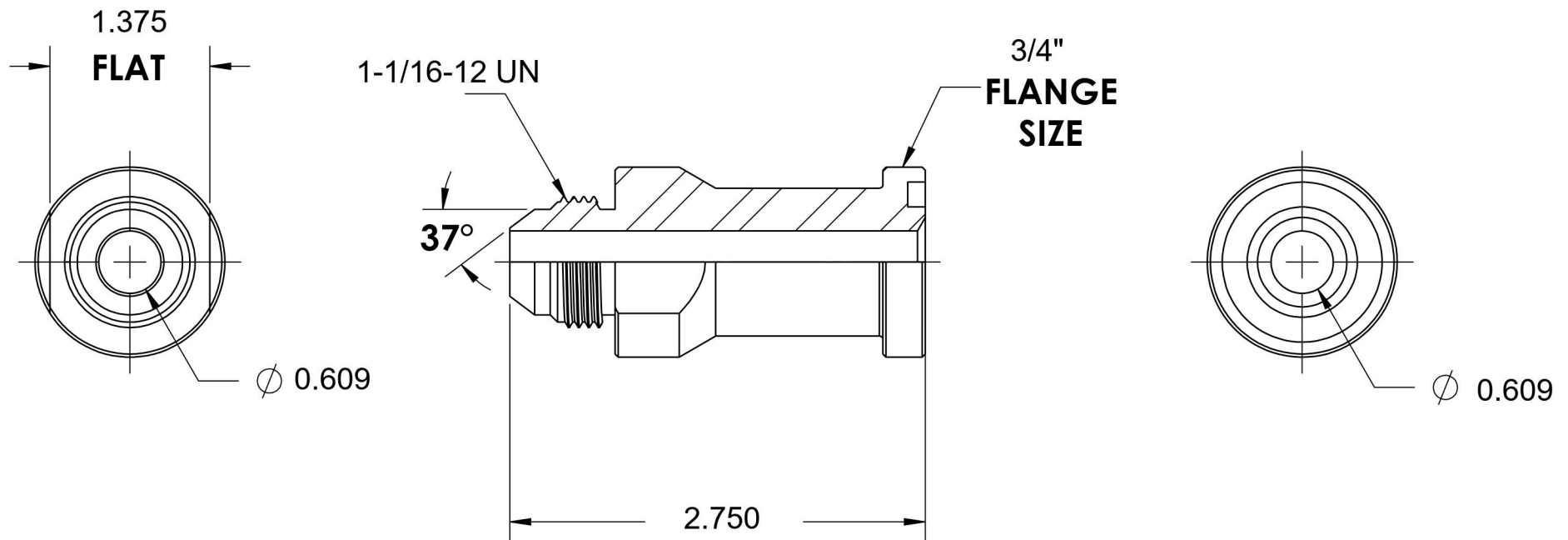
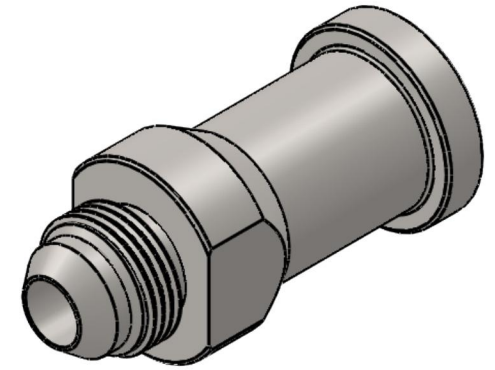


1800-12-12

Steel, SAE J514 37° Flare Code 62 Flange Adapter, 3/4" Male JIC x 3/4" Split Flange Head



6701 Cochran Road
Solon, Ohio 44139
Phone: (440) 248-1880
Toll Free: 1-888-331-1523

| | | | |
|---------------------------------------------|--------------------------------------|----------------------------------------------------------------------|---------------------------------------------------------------------------|
| Temperature Rating -65°F to 500°F | Material C1045/12L14 Steel | Industry Standards SAE J518 Code 62, SAE J514 ASTM B633 | Series 1800 |
| Pressure Rating 5000 psi | Finish Trivalent Zinc | | Series Description SAE J514 37° Flare Code 62 Flange Adapter |