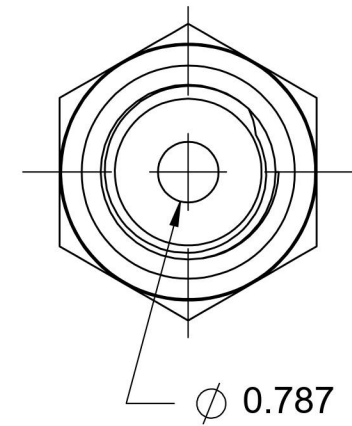
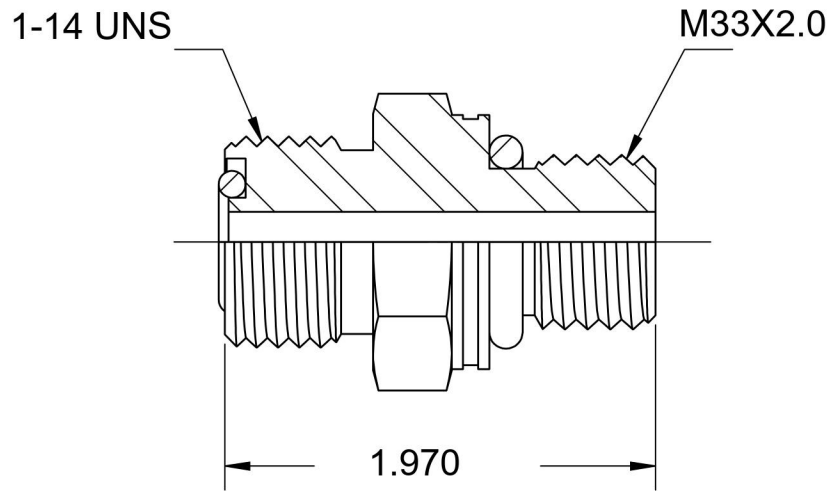
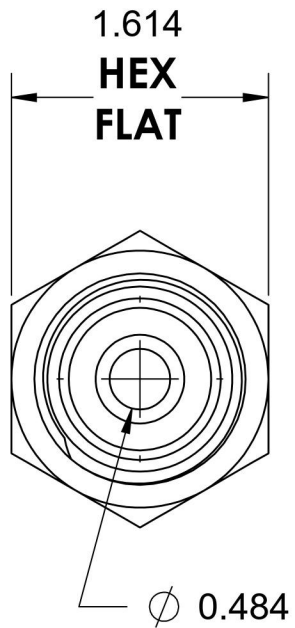
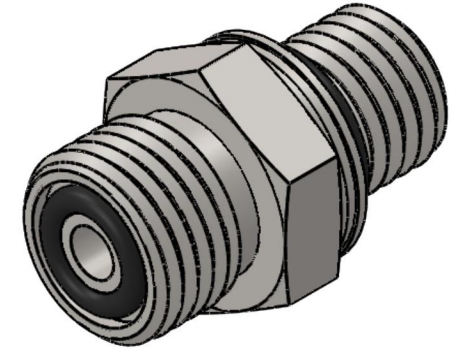


# FS7640-10-33-O

Steel, SAE J1453 O-Ring Face Seal Male Metric (ISO 6149) Port Connector, 5/8" Male ORFS x M33X2.0 Male Metric ORB



6701 Cochran Road  
Solon, Ohio 44139  
Phone: (440) 248-1880  
Toll Free: 1-888-331-1523

#### Temperature Rating

-40°F to 250°F

#### Pressure Rating

6000 psi

#### Material

C1045/12L14 Steel

#### Finish

Trivalent Zinc

#### Industry Standards

SAE J1453, ISO 6149-2  
SAE J515, ASTM B633

#### Series

FS7640-O-ISO 6149

#### Series Description

SAE J1453 O-Ring Face Seal  
Male Metric (ISO 6149) Port Connector