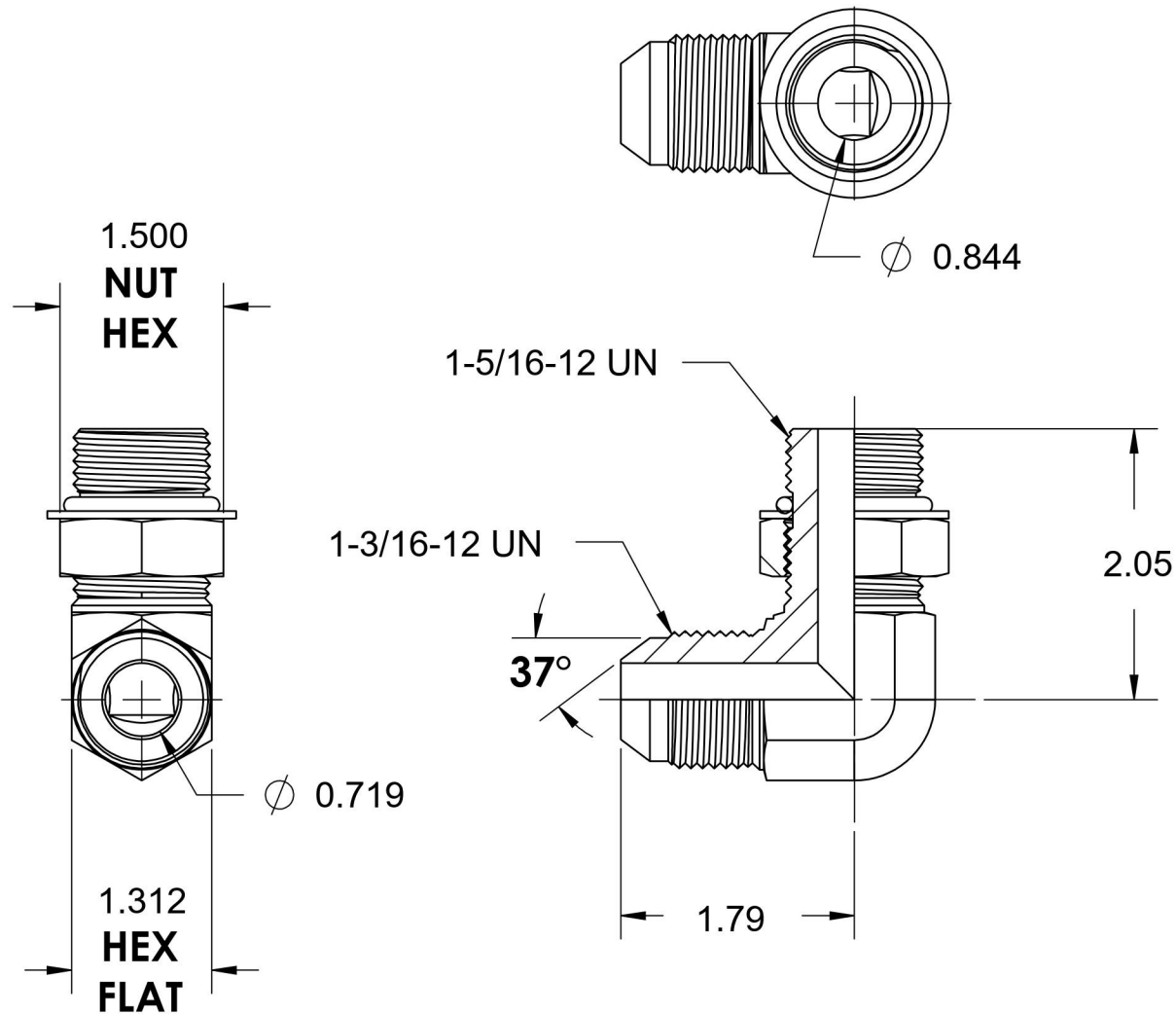


6801-14-16-NWO-FG

Steel, SAE J514 37° Flare 90° Adjustable Port Elbow, 7/8" Male JIC x 1-5/16-12 Male Adjustable ORB



6701 Cochran Road
Solon, Ohio 44139
Phone: (440) 248-1880
Toll Free: 1-888-331-1523

| | | | |
|--|---------------------------------|---|--|
| Temperature Rating -40°F / 250°F | Material C1045 Steel | Industry Standards SAE J514, SAE J1926-3 ASTM B633 | Series 6801-NWO-FG |
| Pressure Rating 4000 psi | Finish Trivalent Zinc | | Series Description SAE J514 37° Flare 90° Adjustable Port Elbow |