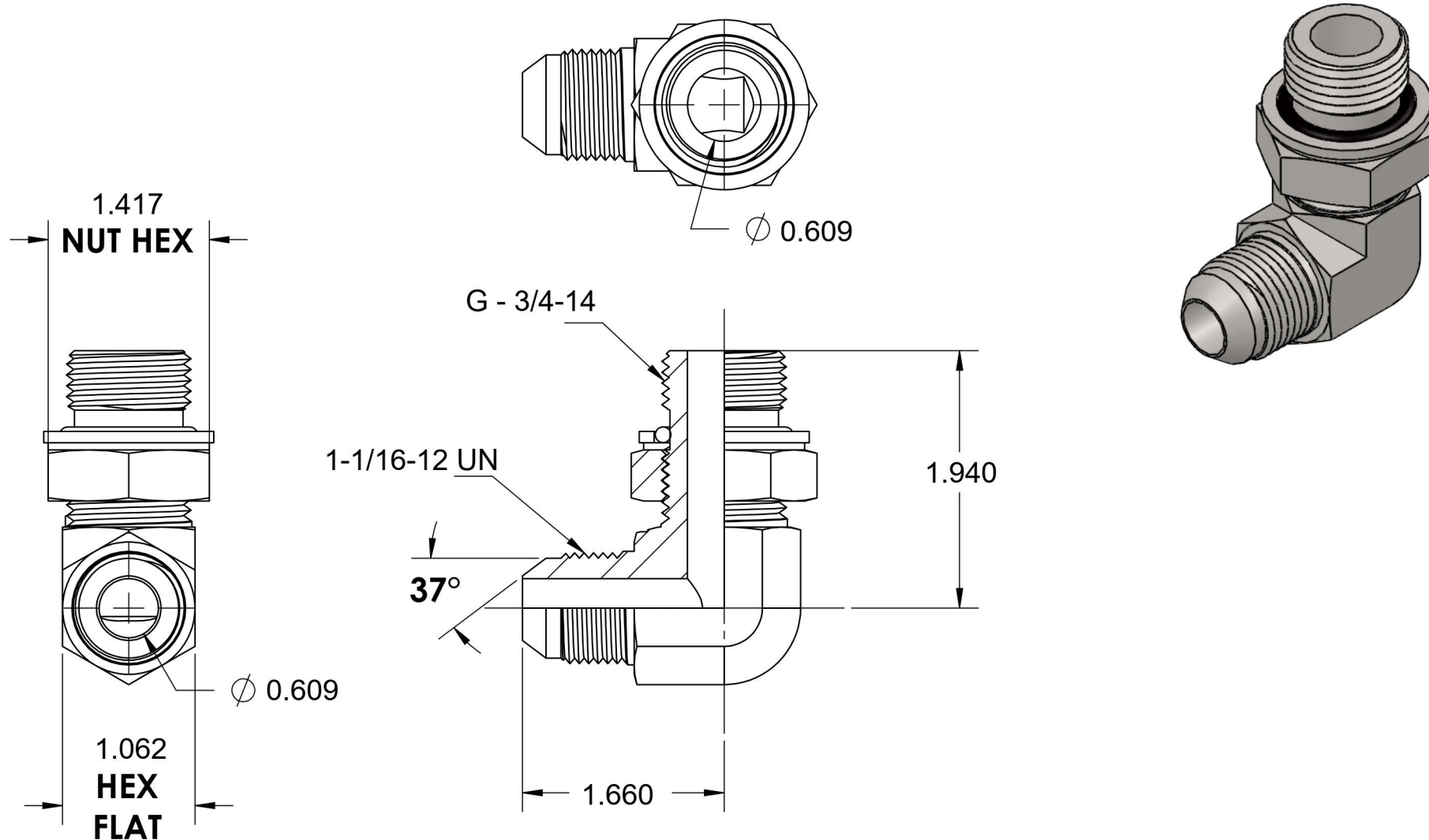


# 7202-12-12-NWO-SS

Stainless Steel, SAE J514 37° Flare Male BSPP Adjustable (Type H) Port 90° Elbow, 3/4" Male JIC x 3/4-14 Male BSPP Adjustable ORR



6701 Cochran Road  
Solon, Ohio 44139  
Phone: (440) 248-1880  
Toll Free: 1-888-331-1523

**Temperature Rating**

-40°F to 250°F

**Pressure Rating**

3600 psi

**Material**

316/316L Stainless Steel

**Finish**

Passivated

**Industry Standards**

SAE J514, ISO 1179

**Series**

7202-NWO-SS-ORR

**Series Description**

SAE J514 37° Flare Male BSPP Adjustable (Type H) Port 90° Elbow