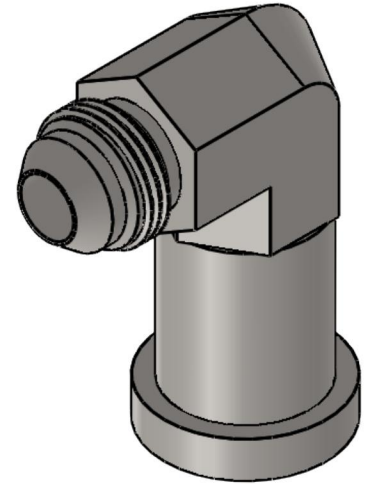
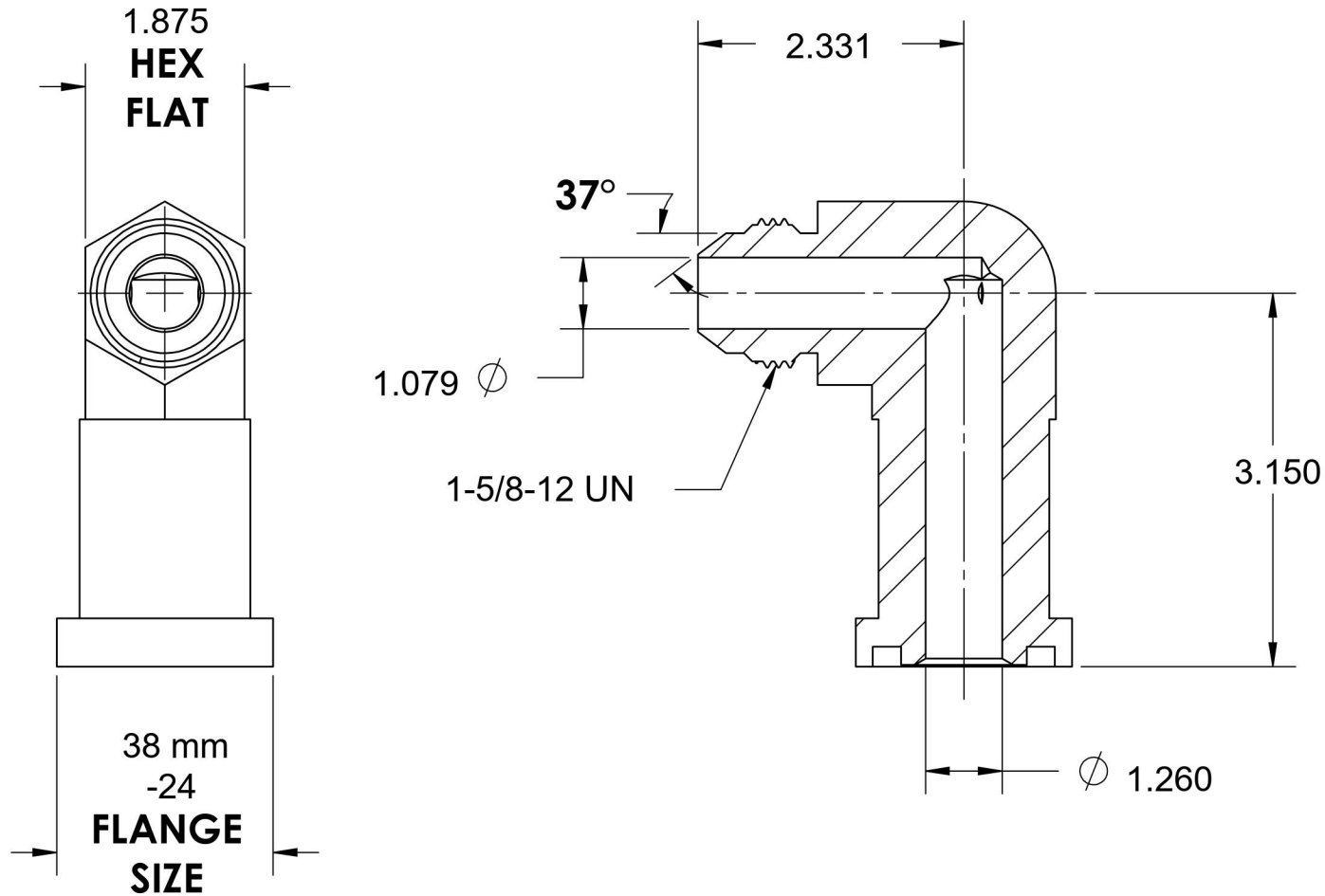


1704-20-24-FG

Steel, SAE J514 37° Flare 90° Code 61 Flange Forged Elbow, 1-1/4" Male JIC x 1-1/2" Split Flange Head



6701 Cochran Road
Solon, Ohio 44139
Phone: (440) 248-1880
Toll Free: 1-888-331-1523

Temperature Rating

-65°F to 500°F

Material

C1045 Steel

Industry Standards

SAE J518 Code 61
SAE J514, ASTM B633

Series

1704-FG

Pressure Rating

3000psi

Finish

Trivalent Zinc

Series Description

SAE J514 37° Flare 90° Code 61
Flange Forged Elbow