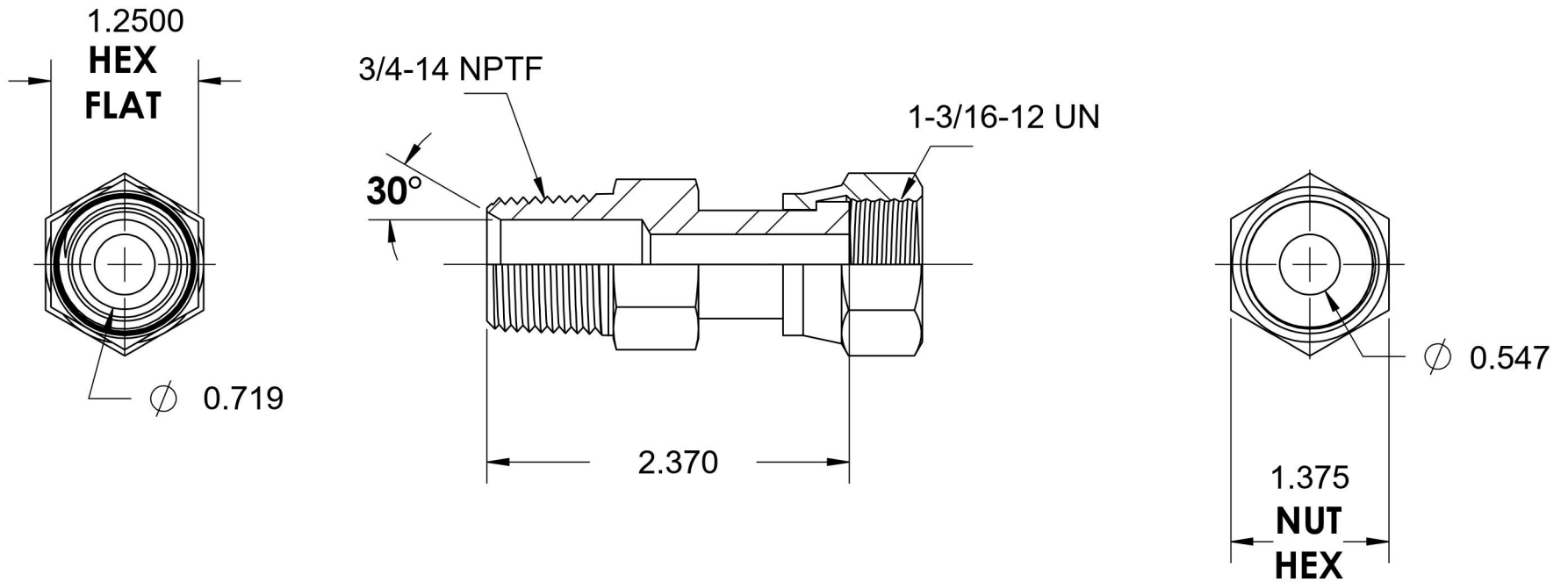
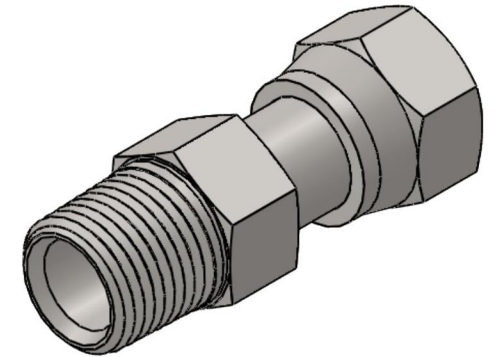


FS6505-12-12

Steel, SAE J1453 O-Ring Face Seal Swivel Male Connector, 3/4" Male NPTF 30° x 3/4" Female ORFS Swivel



6701 Cochran Road
Solon, Ohio 44139
Phone: (440) 248-1880
Toll Free: 1-888-331-1523

Temperature Rating	Material	Industry Standards	Series
-65°F to 500°F	C1045/12L14 Steel	SAE J514, SAE J1453 ASTM B633	FS6505
Pressure Rating	Finish		Series Description
5500psi	Trivalent Zinc		SAE J1453 O-Ring Face Seal Swivel Male Connector