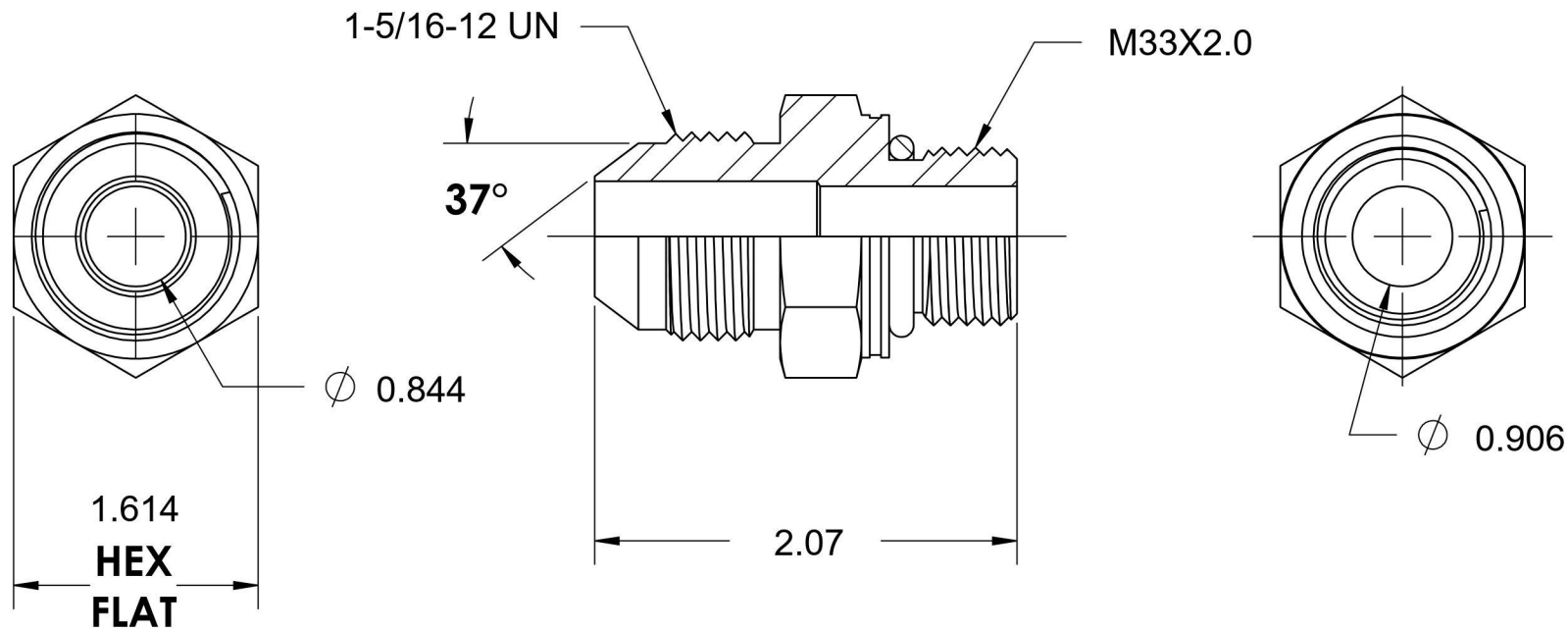
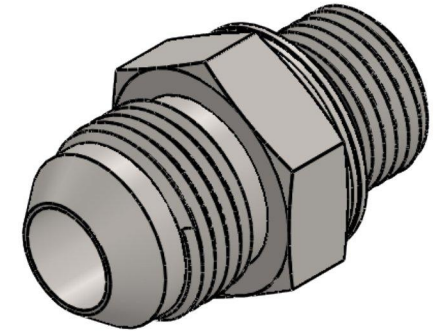


# 7640-16-33-O

Steel, SAE J514 37° Flare Male Metric (ISO 6149) Port Connector, 1" Male JIC x M33X2.0 Male Metric ORB



6701 Cochran Road  
Solon, Ohio 44139  
Phone: (440) 248-1880  
Toll Free: 1-888-331-1523

<b>Temperature Rating</b>	<b>Material</b>	<b>Industry Standards</b>	<b>Series</b>
-40°F to 250°F	C1045 / 12L14 Steel	SAE J514, ISO 6149	7640-O-ISO 6149
<b>Pressure Rating</b>	<b>Finish</b>	ASTM B633	<b>Series Description</b>
4000 psi	Trivalent Zinc		SAE J514 37° Flare Male Metric (ISO 6149) Port Connector