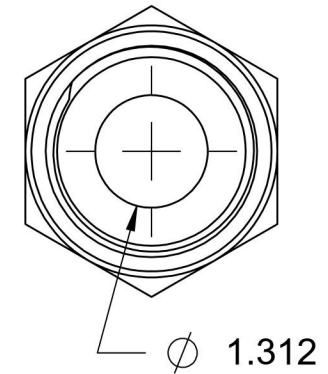
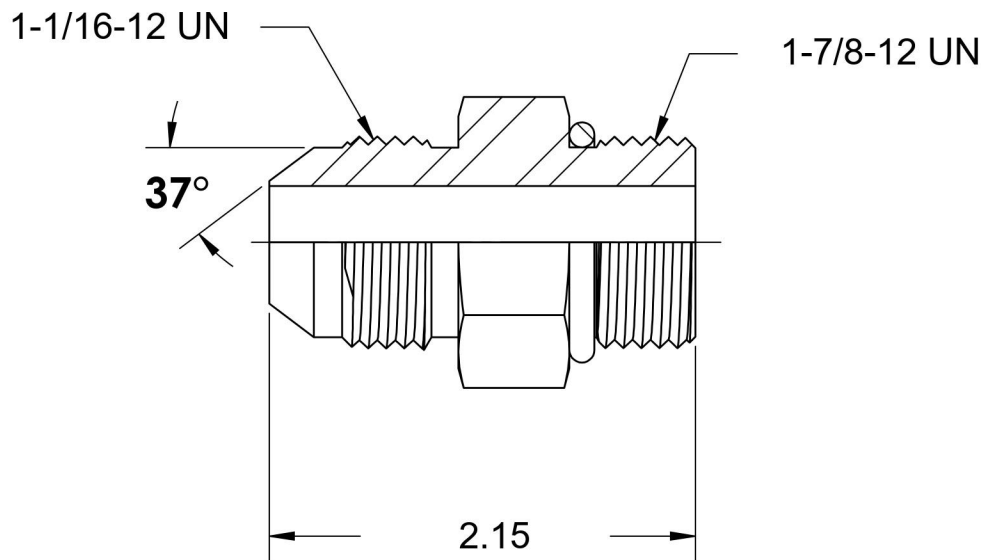
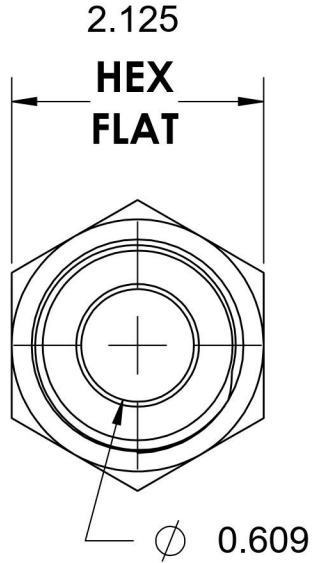


# 6400-12-24-O

Steel, SAE J514 37° Flare Port Connector, 3/4" Male JIC x 1-7/8-12 Male ORB



6701 Cochran Road  
Solon, Ohio 44139  
Phone: (440) 248-1880  
Toll Free: 1-888-331-1523

Temperature Rating  
-40°F to 250°F

Pressure Rating  
3000 psi

Material  
C1045 / 12L14 Steel

Finish  
Trivalent Zinc

Industry Standards  
SAE J514, SAE J1926-3  
ASTM B633

Series  
6400-O

Series Description  
SAE J514 37° Flare Port Connector