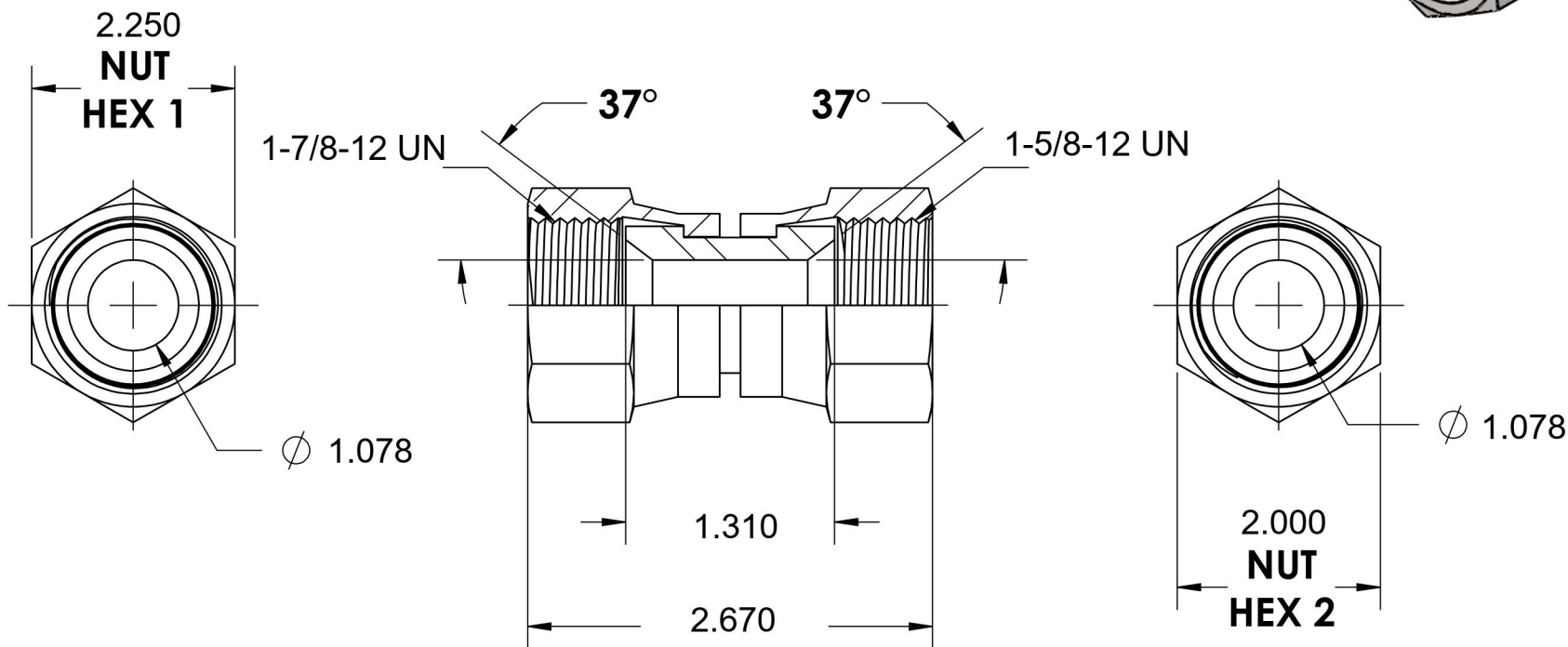
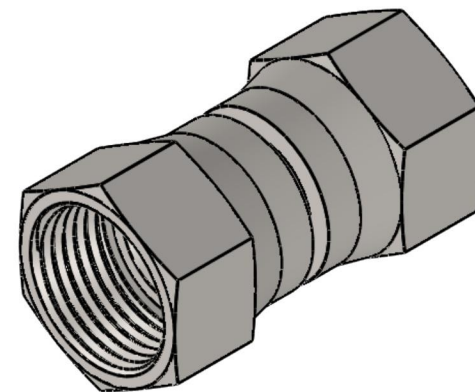


6565-24-20

Steel, SAE J514 37° Flare Swivel Union, 1-1/2" Female JIC Swivel x 1-1/4" Female JIC Swivel



6701 Cochran Road
Solon, Ohio 44139
Phone: (440) 248-1880
Toll Free: 1-888-331-1523

Temperature Rating	Material	Industry Standards	Series
-65°F to 500°F	C1045/12L14 Steel	SAE J514, ASTM B633	6565
Pressure Rating	Finish		Series Description
2500 psi	Trivalent Zinc		SAE J514 37° Flare Swivel Union