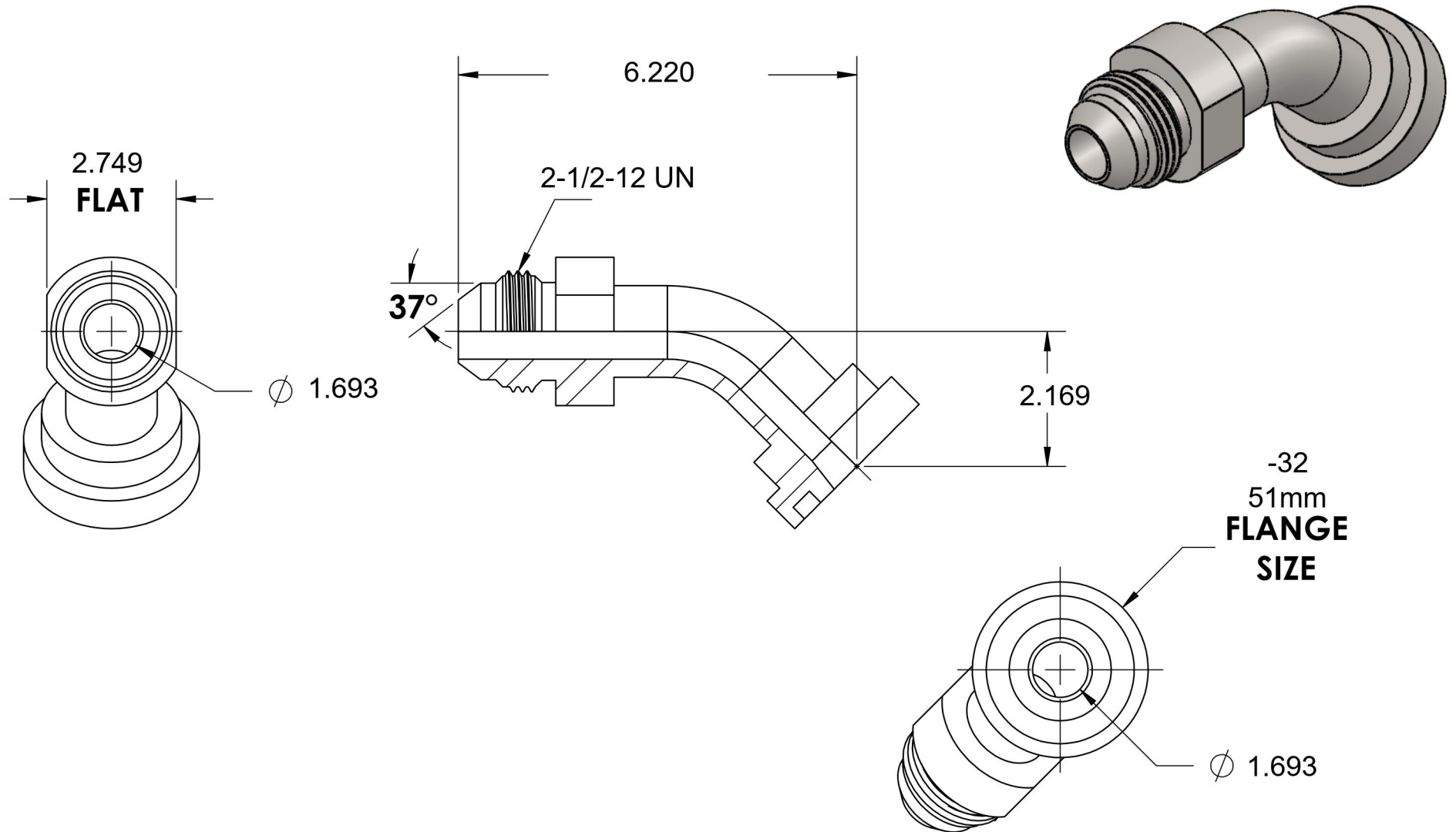


# 1703-32-32-SS

Stainless Steel, SAE J514 37° Flare 45° Code 61 Flange Swept Elbow, 2" Male JIC x 1-1/2" Split Flange Head



6701 Cochran Road  
Solon, Ohio 44139  
Phone: (440) 248-1880  
Toll Free: 1-888-331-1523

<b>Temperature Rating</b> -425°F to 1200°F	<b>Material</b> 316/316L Stainless	<b>Industry Standards</b> SAE J518 Code 61, SAE J514	<b>Series</b> 1703
<b>Pressure Rating</b> 2000psi	<b>Finish</b> Passivation		<b>Series Description</b> SAE J514 37° Flare 45° Code 61 Flange Swept Elbow