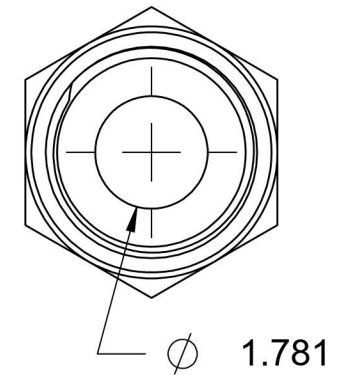
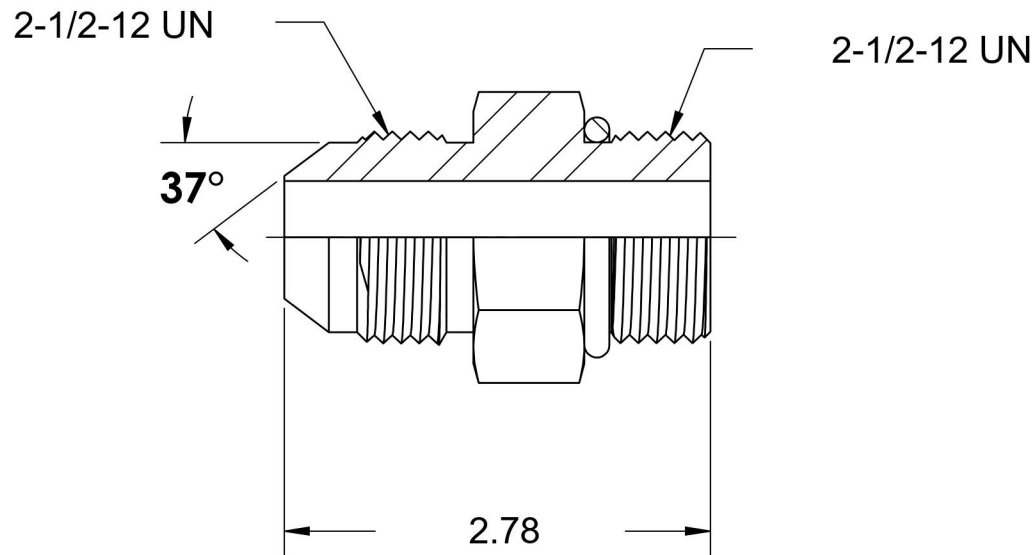
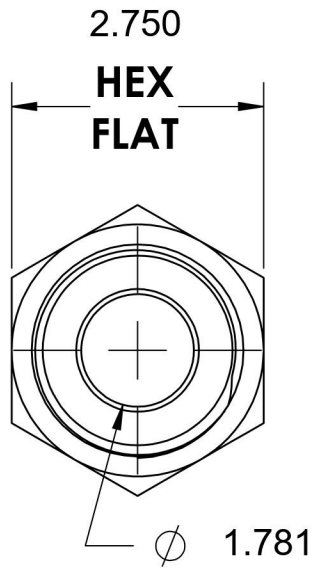


6400-32-32-O-SS

Stainless Steel, SAE J514 37° Flare Port Connector, 2" Male JIC x 2-1/2-12 Male ORB



6701 Cochran Road
Solon, Ohio 44139
Phone: (440) 248-1880
Toll Free: 1-888-331-1523

| | | | |
|---------------------------|--------------------------|---------------------------|-----------------------------------|
| Temperature Rating | Material | Industry Standards | Series |
| -40°F to 250°F | 316/316L Stainless Steel | SAE J514, SAE J1926-3 | 6400-O-SS |
| Pressure Rating | Finish | | Series Description |
| 2400 psi | Passivated | | SAE J514 37° Flare Port Connector |