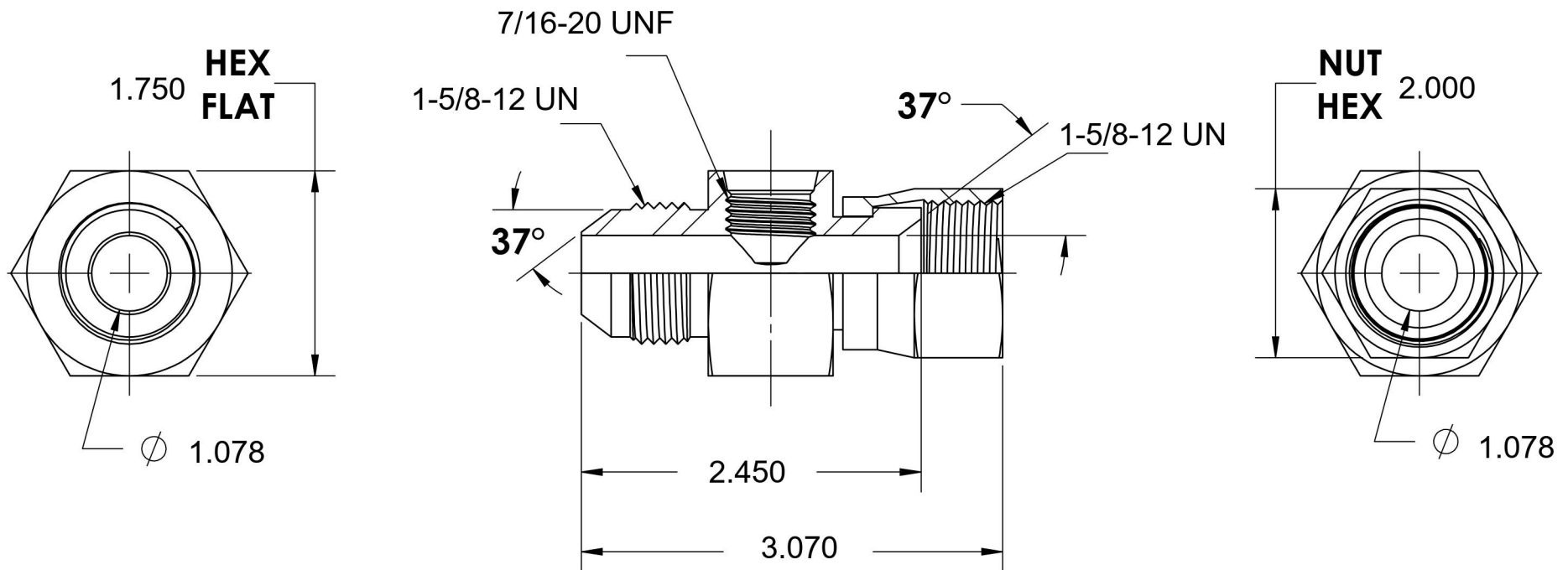
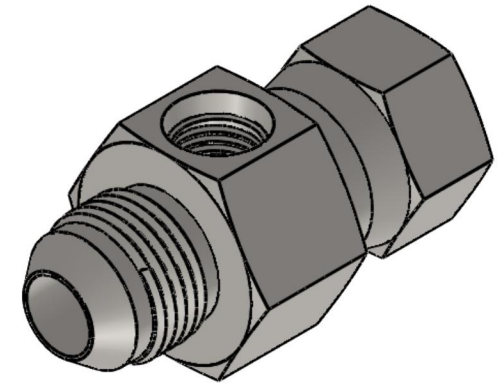


# 6564-20-20-04

Steel, SAE J514 37° Flare Swivel Adapter ORB Diagnostic Port, 1-1/4" Male JIC x 1-1/4" Female JIC Swivel x 1/4" FORB Diagnostic Port



6701 Cochran Road  
Solon, Ohio 44139  
Phone: (440) 248-1880  
Toll Free: 1-888-331-1523

<b>Temperature Rating</b>	<b>Material</b>	<b>Industry Standards</b>	<b>Series</b>
-65°F to 500°F	C1045/12L14 Steel	SAE J514, SAE J1926-1 ASTM B633	6564
<b>Pressure Rating</b>	<b>Finish</b>		<b>Series Description</b>
4000 psi	Trivalent Zinc		SAE J514 37° Flare Swivel Adapter ORB Diagnostic Port