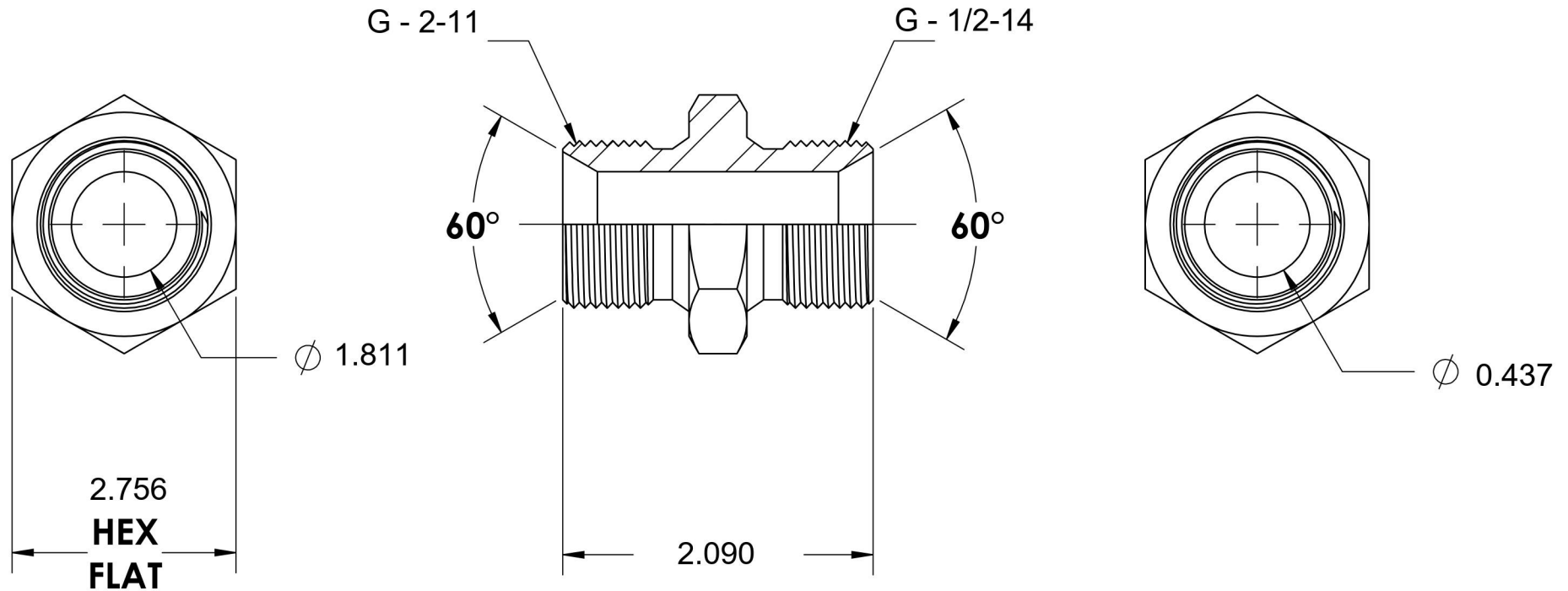
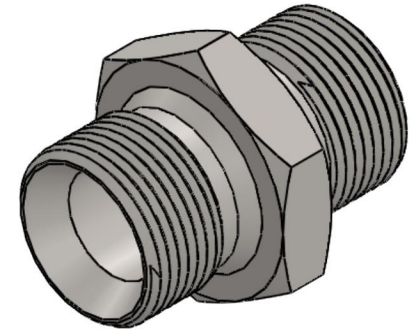


9022-32-08

Steel, ISO 1179 BSPP Port/Line Union, 2-11 Male BSPP 60° Line/Port x 1/2-14 Male BSPP 60° Line/Port



6701 Cochran Road
Solon, Ohio 44139
Phone: (440) 248-1880
Toll Free: 1-888-331-1523

| | | | |
|---------------------------|-------------------|-----------------------------------|----------------------------------|
| Temperature Rating | Material | Industry Standards | Series |
| -65°F to 500°F | C1045/12L14 Steel | ISO 1179, ISO 8434-6 ASTM B633 | 9022 |
| Pressure Rating | Finish | | Series Description |
| 1000 psi | Trivalent Zinc | | ISO 1179 BSPP Port/Line Union |