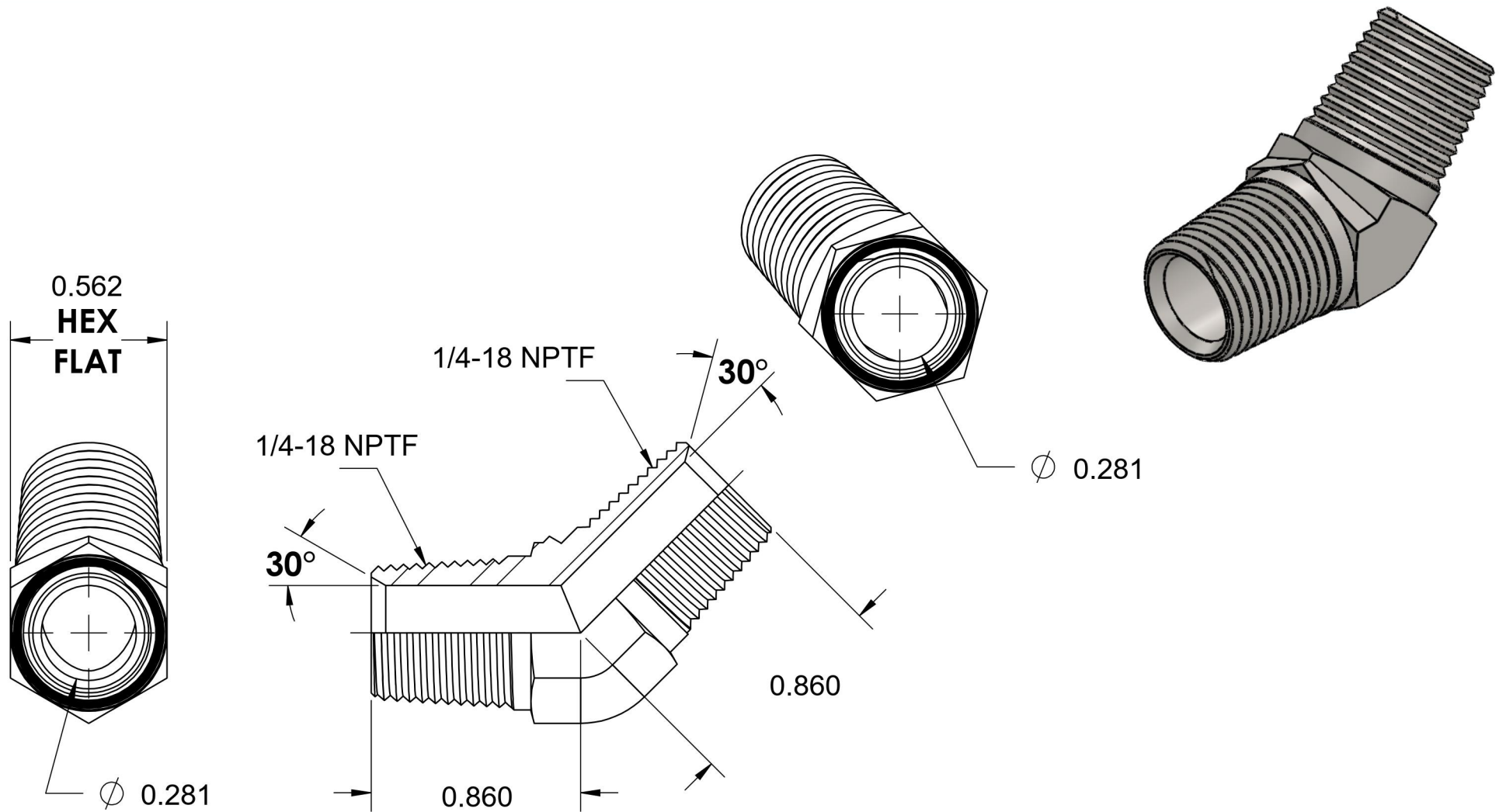


# 5501-04-04-FG

Steel, SAE J514 Pipe 45° Male Elbow, 1/4" Male NPTF 30° x 1/4" Male NPTF 30°



6701 Cochran Road  
Solon, Ohio 44139  
Phone: (440) 248-1880  
Toll Free: 1-888-331-1523

#### Temperature Rating

-65°F to 500°F

#### Pressure Rating

6000psi

#### Material

C1045 Steel

#### Finish

Trivalent Zinc

#### Industry Standards

SAE J514 , SAE J476  
ASTM B633

#### Series

5501-FG

#### Series Description

SAE J514 Pipe 45° Male Elbow