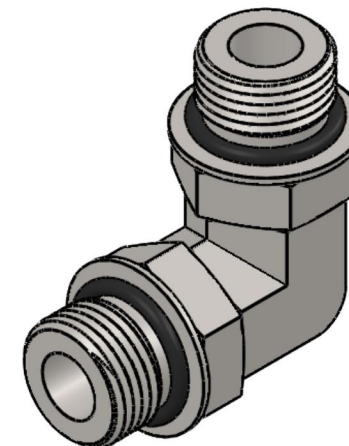
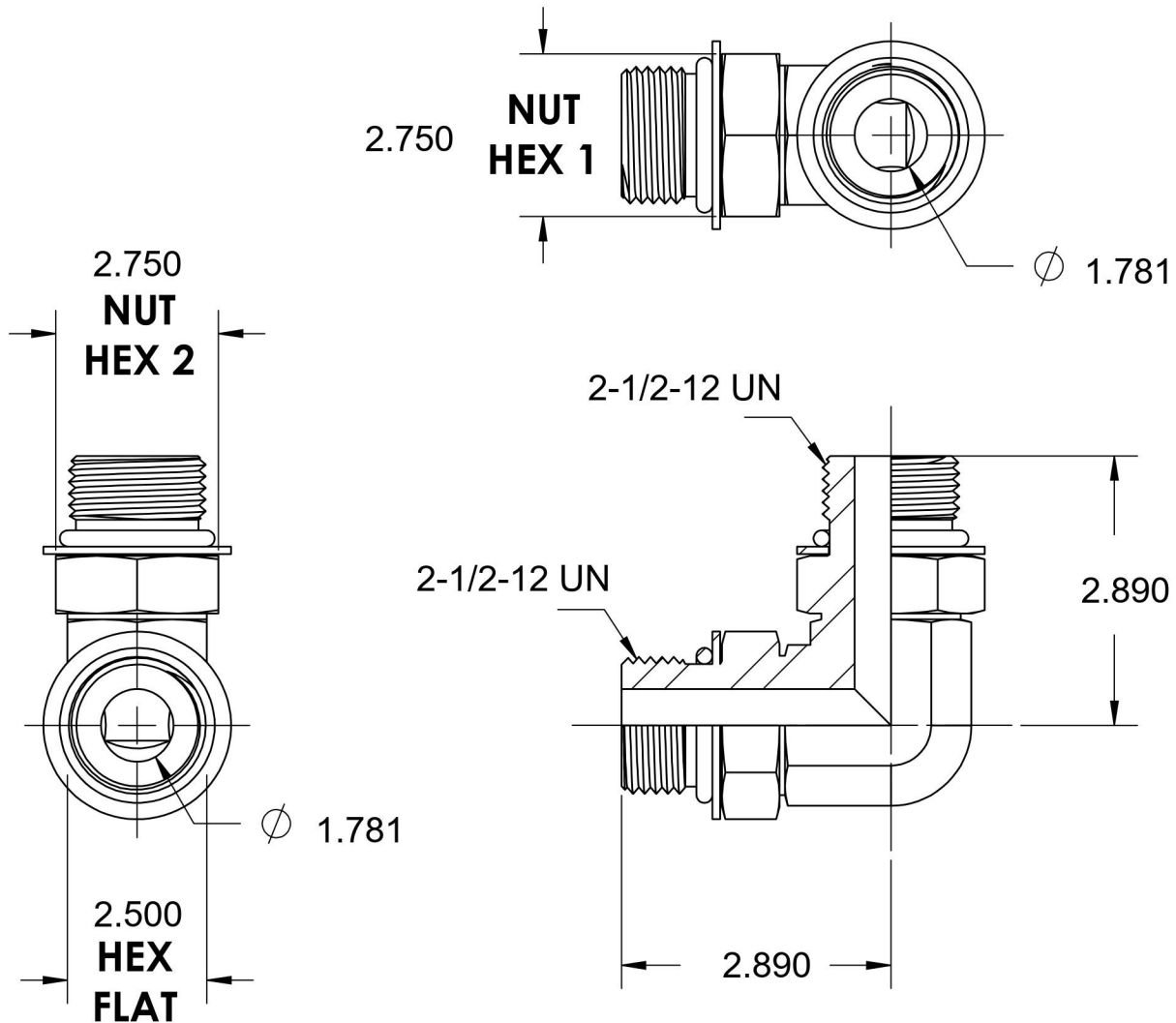


6807-32-32-NWO-SS

Stainless Steel, SAE J1926 Adjustable O-Ring Boss 90° Adjustable Port Elbow, 2-1/2-12 Male Adjustable ORB x 2-1/2-12 Male Adjustable ORB



6701 Cochran Road
Solon, Ohio 44139
Phone: (440) 248-1880
Toll Free: 1-888-331-1523

| | | | |
|---------------------------|--------------------|---------------------------|---|
| Temperature Rating | Material | Industry Standards | Series |
| -40°F to 250°F | 316/316L Stainless | SAE J1926-3 | 6807-NWO-FG |
| Pressure Rating | Finish | | Series Description |
| 1500psi | Passivation | | SAE J1926 Adjustable O-Ring Boss 90° Adjustable Port Elbow |