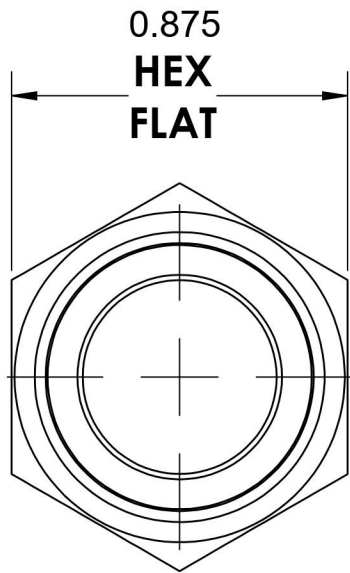
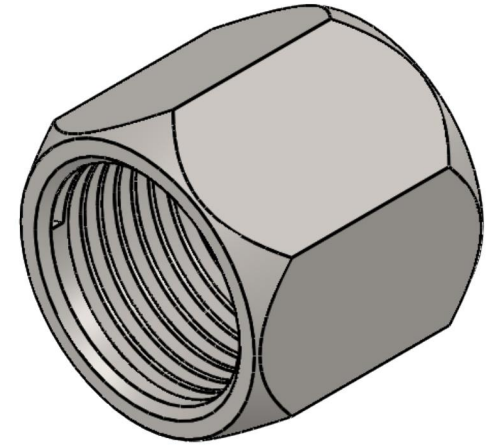
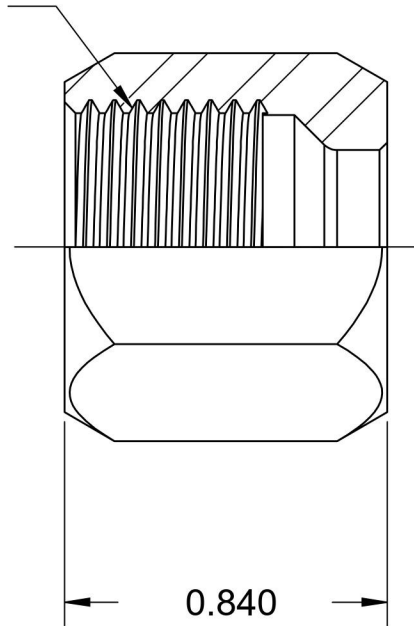


# C0318-08

Steel, SAE J514 Flareless Tube Nut, 1/2" Flareless Bite Type Nut



3/4-16 UNF



6701 Cochran Road  
Solon, Ohio 44139  
Phone: (440) 248-1880  
Toll Free: 1-888-331-1523

**Temperature Rating**

-65°F to 500°F

**Pressure Rating**

Not Applicable

**Material**

C1045 Steel

**Finish**

Trivalent Zinc

**Industry Standards**

SAE J514, ASTM B633

**Series**

C0318

**Series Description**

SAE J514 Flareless Tube Nut