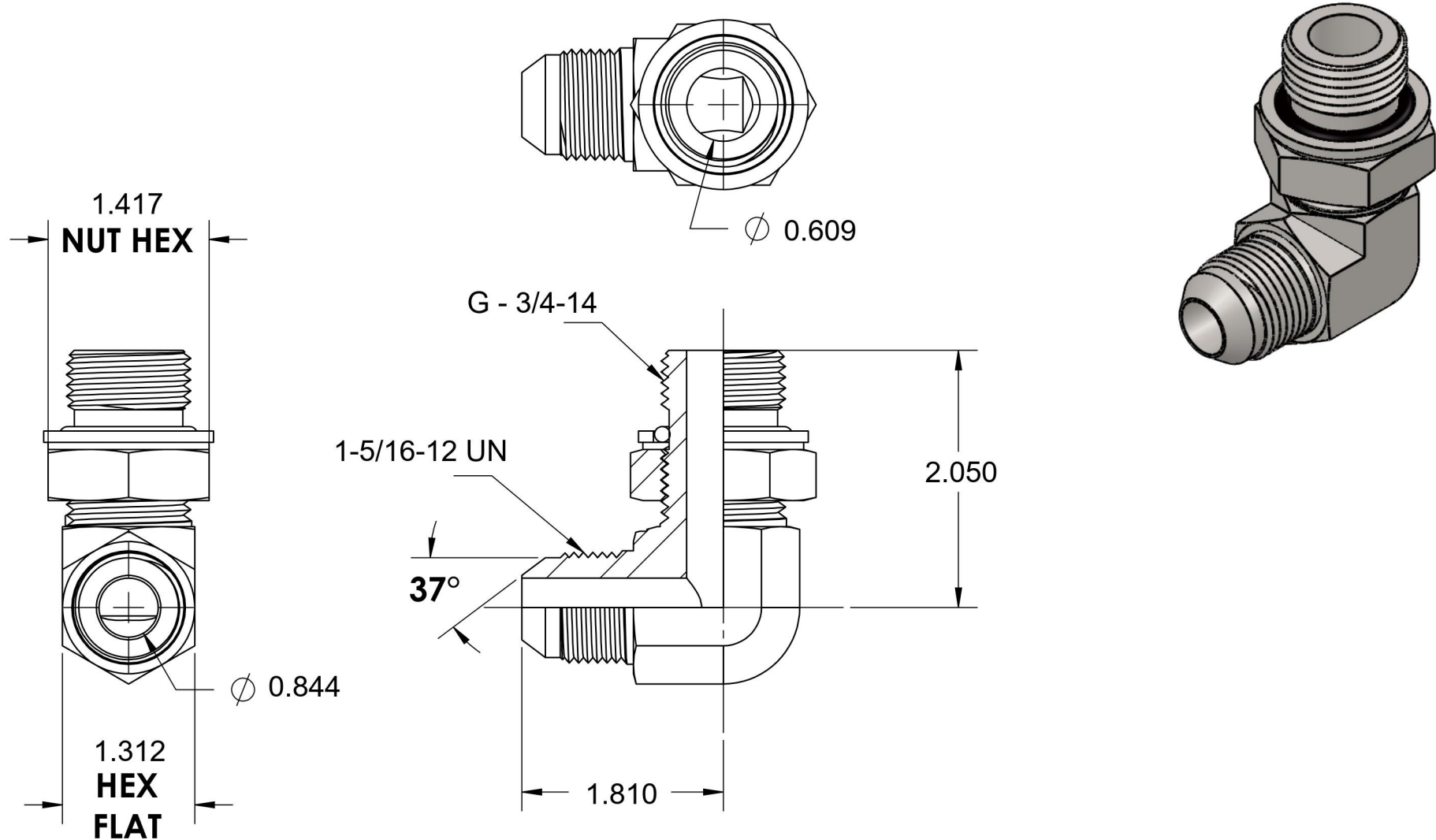


# 7202-16-12-NWO-FG

Steel, SAE J514 37° Flare Male BSPP Adjustable (Type H) Port 90° Elbow, 1" Male JIC x 3/4-14 Male BSPP Adjustable ORR



6701 Cochran Road  
Solon, Ohio 44139  
Phone: (440) 248-1880  
Toll Free: 1-888-331-1523

|                           |                 |                                 |                                                                 |
|---------------------------|-----------------|---------------------------------|-----------------------------------------------------------------|
| <b>Temperature Rating</b> | <b>Material</b> | <b>Industry Standards</b>       | <b>Series</b>                                                   |
| -40°F to 250°F            | C1045 Steel     | SAE J514, ISO 1179<br>ASTM B633 | 7202-NWO-FG-ORR                                                 |
| <b>Pressure Rating</b>    | <b>Finish</b>   |                                 | <b>Series Description</b>                                       |
| 3600 psi                  | Trivalent Zinc  |                                 | SAE J514 37° Flare Male BSPP Adjustable (Type H) Port 90° Elbow |