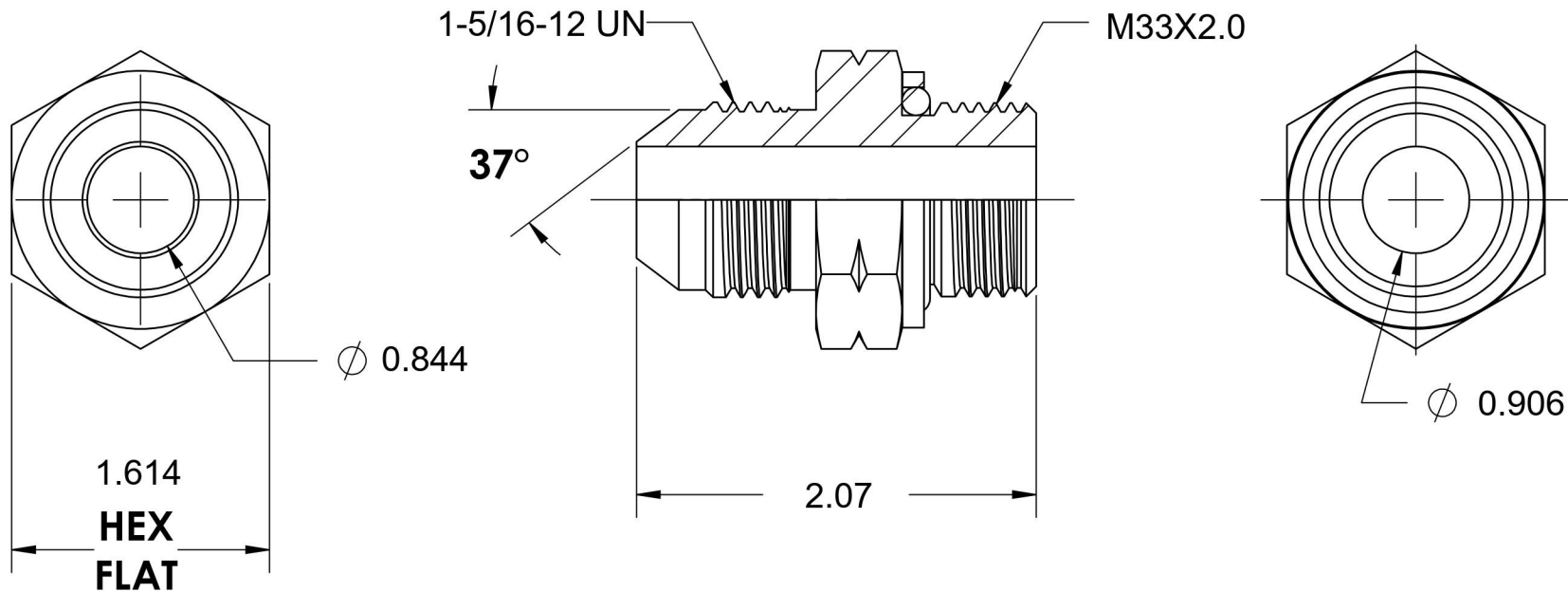


7001-16-33-SS

Stainless Steel, SAE J514 37° Flare Male Metric Type (G) Port Adapter, 1" Male JIC x M33X2.0 Male Metric ORR



6701 Cochran Road
Solon, Ohio 44139
Phone: (440) 248-1880
Toll Free: 1-888-331-1523

Temperature Rating -22°F to 257°F	Material 316/316L Stainless Steel	Industry Standards SAE J514, ISO 9974	Series 7001-ORR-SS
Pressure Rating 3000 psi	Finish Passivated		Series Description SAE J514 37° Flare Male Metric Type (G) Port Adapter