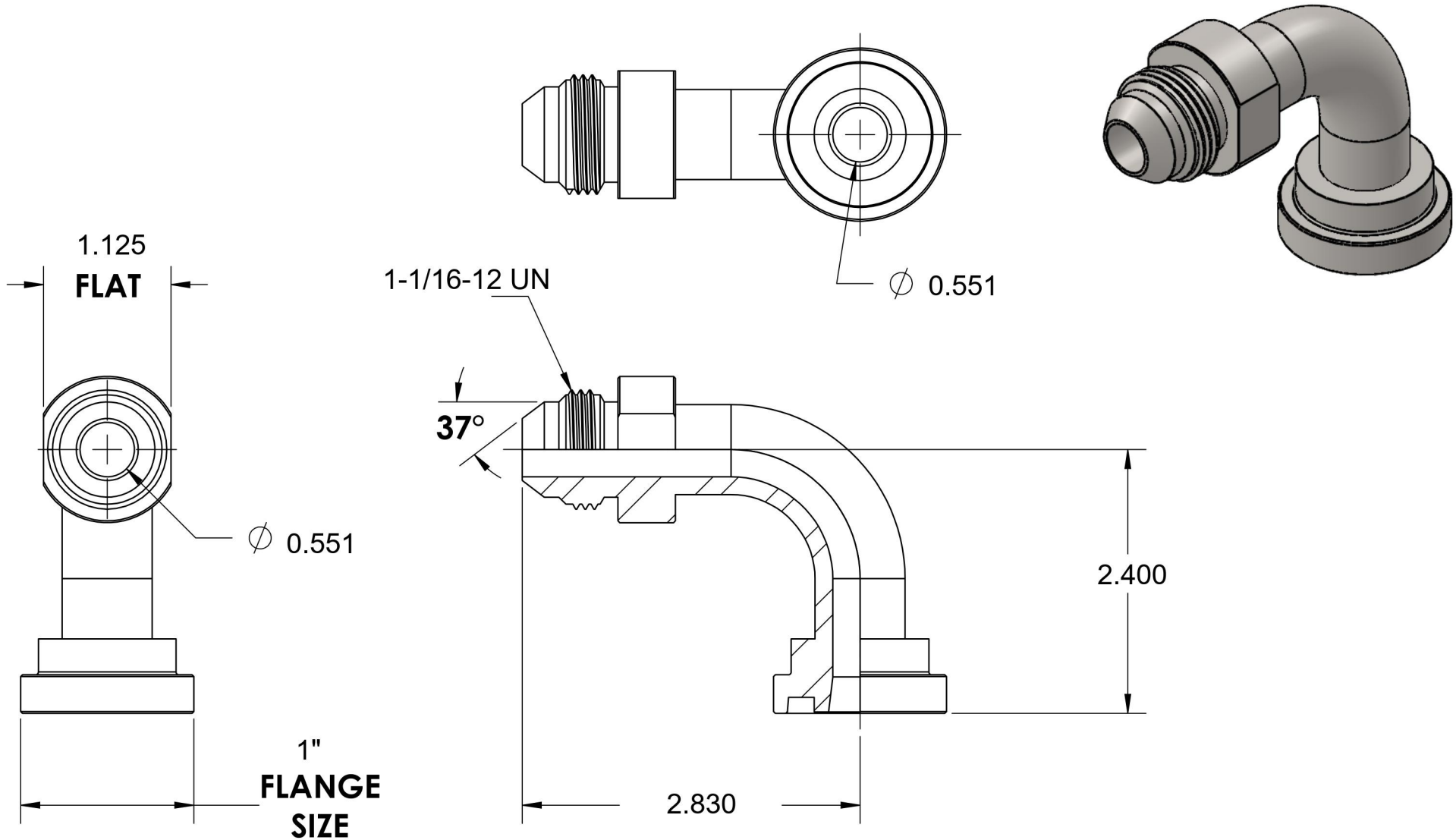


1804-12-16

Steel, SAE J514 37° Flare Code 62 Flange 90° Swept Elbow, 3/4" Male JIC x 1" Split Flange Head



6701 Cochran Road
Solon, Ohio 44139
Phone: (440) 248-1880
Toll Free: 1-888-331-1523

Temperature Rating

-65°F to 500°F

Pressure Rating

5000 psi

Material

S20C Steel

Finish

Trivalent Zinc

Industry Standards

SAE J518 Code 62, SAE J514
ASTM B633

Series

1804

Series Description

SAE J514 37° Flare Code 62
Flange 90° Swept Elbow