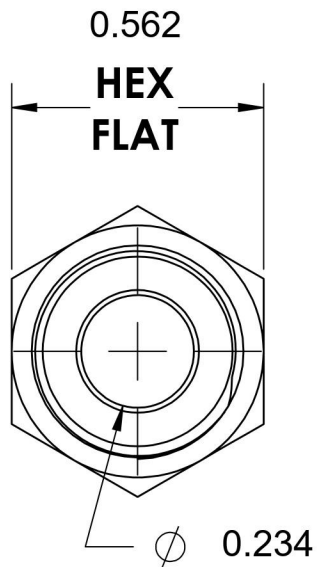
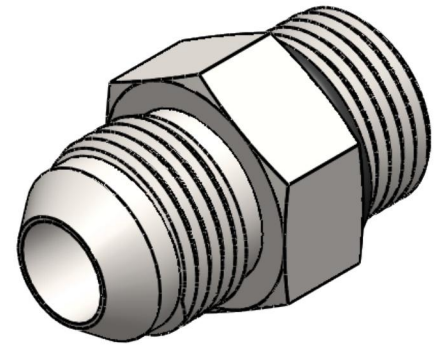
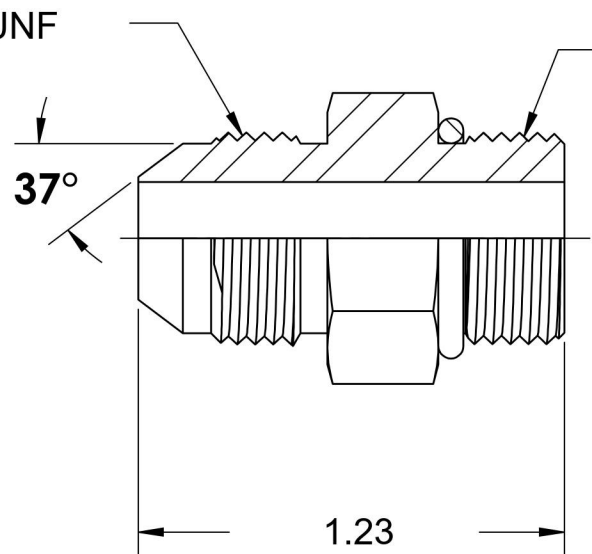


6400-05-04-O-SS

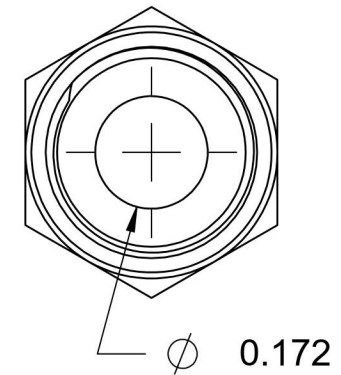
Stainless Steel, SAE J514 37° Flare Port Connector, 5/16" Male JIC x 7/16-20 Male ORB



1/2-20 UNF



7/16-20 UNF



6701 Cochran Road
Solon, Ohio 44139
Phone: (440) 248-1880
Toll Free: 1-888-331-1523

Temperature Rating -40°F to 250°F	Material 316/316L Stainless Steel	Industry Standards SAE J514, SAE J1926-3	Series 6400-O-SS
Pressure Rating 7200 psi	Finish Passivated		Series Description SAE J514 37° Flare Port Connector