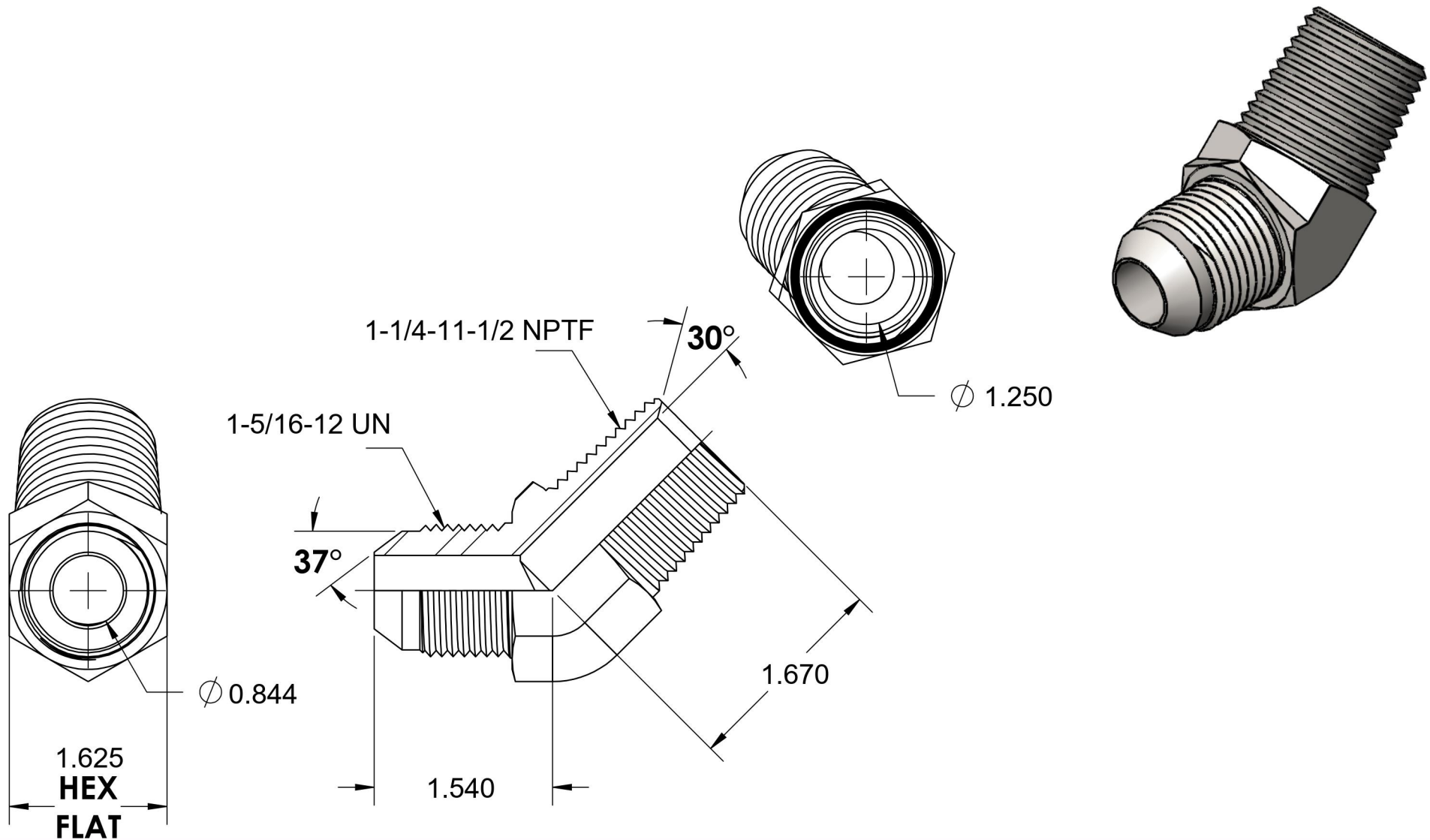


2503-16-20-FG

Steel, SAE J514 37° Flare 45° Male Elbow, 1" Male JIC x 1-1/4" Male NPTF 30°



6701 Cochran Road
Solon, Ohio 44139
Phone: (440) 248-1880
Toll Free: 1-888-331-1523

Temperature Rating	Material	Industry Standards	Series
-65°F to 500°F	C1045 Steel	SAE J514 , SAE J476 ASTM B633	2503-FG
Pressure Rating	Finish		Series Description
2500 psi	Trivalent Zinc		SAE J514 37° Flare 45° Male Elbow