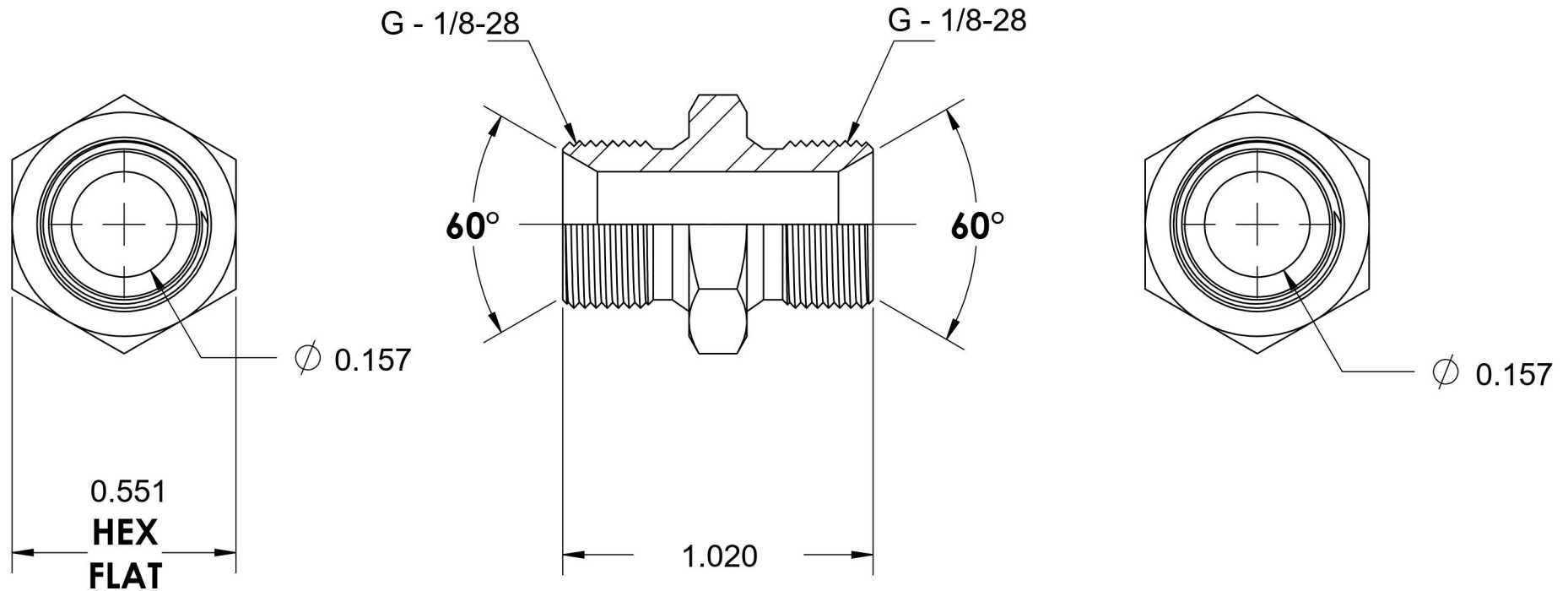


# 9022-02-02-SS

Stainless Steel, ISO 1179 BSPP Port/Line Union, 1/8-28 Male BSPP 60° Line/Port x 1/8-28 Male BSPP 60° Line/Port



6701 Cochran Road  
Solon, Ohio 44139  
Phone: (440) 248-1880  
Toll Free: 1-888-331-1523

|   |   |   |   |
|---|---|---|---|
| <b>Temperature Rating</b><br>-425°F to 1200°F | <b>Material</b><br>316/316L Stainless Steel | <b>Industry Standards</b><br>ISO 1179, ISO 8434-6 | <b>Series</b><br>9022-SS                                      |
| <b>Pressure Rating</b><br>5100 psi            | <b>Finish</b><br>Passivated                 |   | <b>Series Description</b><br>ISO 1179 BSPP<br>Port/Line Union |