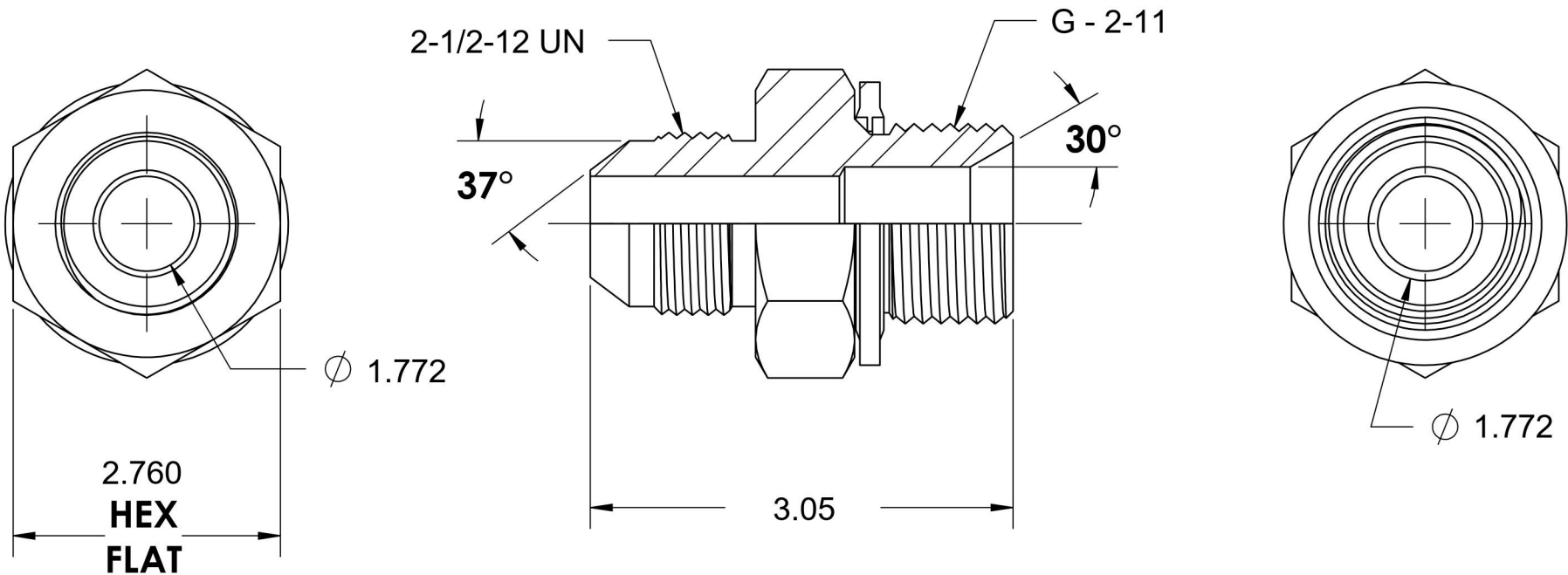


7002-32-32-BS

Steel, SAE J514 37° Flare BSPP Type (D) Bonded Seal Port/Line Adapter, 2" Male JIC x 2-11 Male BSPP 60° Line/Port



6701 Cochran Road
Solon, Ohio 44139
Phone: (440) 248-1880
Toll Free: 1-888-331-1523

Temperature Rating	Material	Industry Standards	Series
-22°F to 257°F	C1045/12L14 Steel	SAE J514, ISO 1179	7002-BS
Pressure Rating	Finish	ASTM B633	Series Description
1000 psi	Trivalent Zinc		SAE J514 37° Flare BSPP Type (D) Bonded Seal Port/Line Adapter