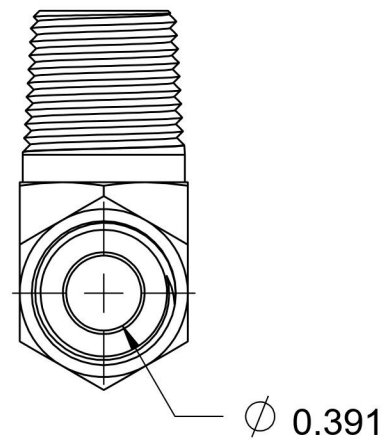
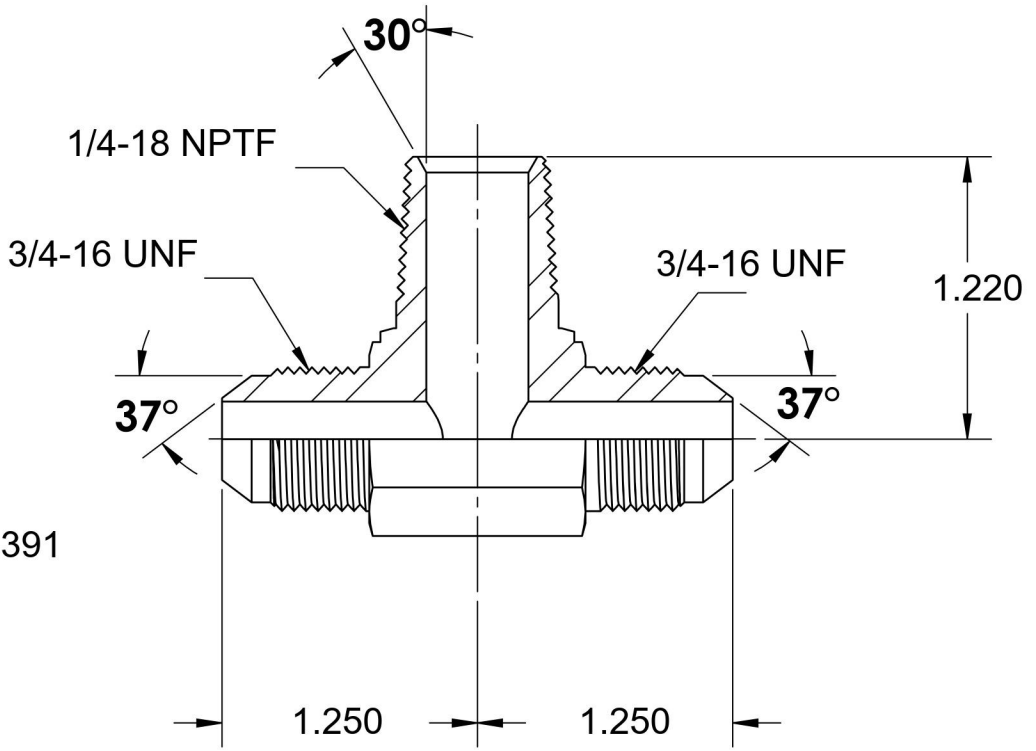
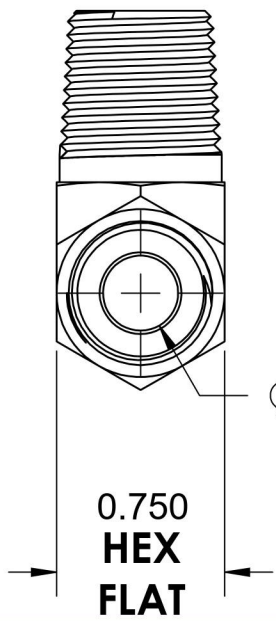
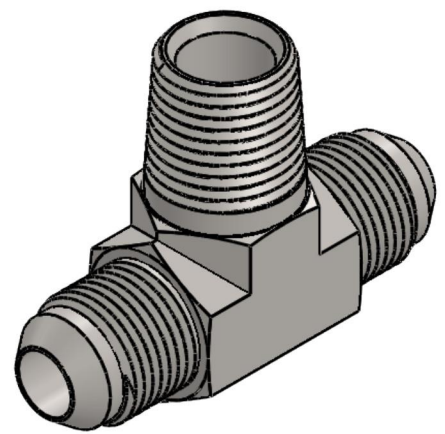
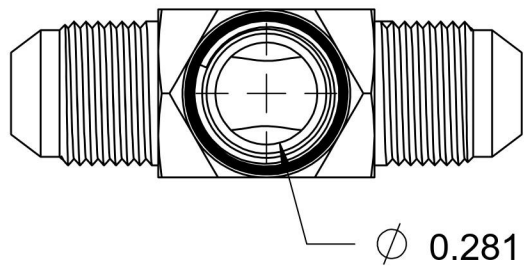


2601-08-08-04-SS

Stainless Steel, SAE J514 SAE J514 37° Flare Male Branch Tee, 1/2" Male JIC x 1/2" Male JIC x 1/4" Male NPTF 30°



6701 Cochran Road
Solon, Ohio 44139
Phone: (440) 248-1880
Toll Free: 1-888-331-1523

| | | | |
|---|---|--|--|
| Temperature Rating -425°F to 1200°F | Material 316/316L Stainless Steel | Industry Standards SAE J514 , SAE J476 | Series 2601-SS |
| Pressure Rating 6000 psi | Finish Passivated | | Series Description SAE J514 37° Flare Male Branch Tee |