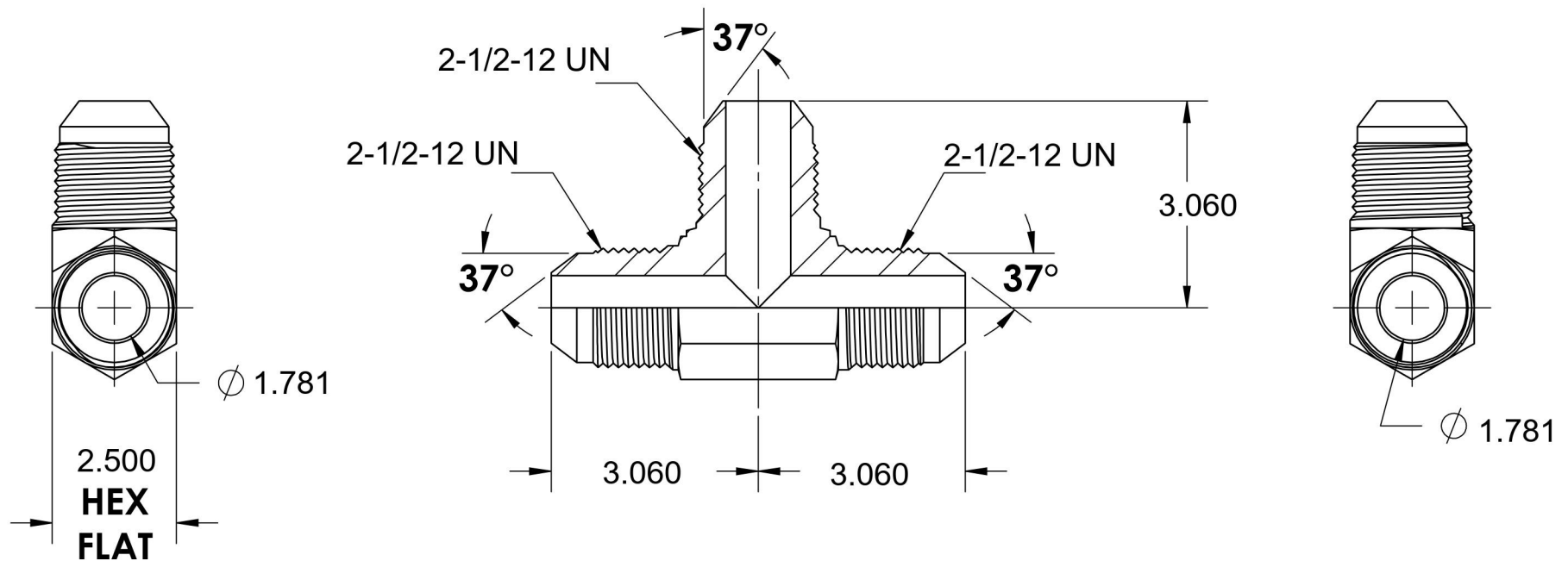
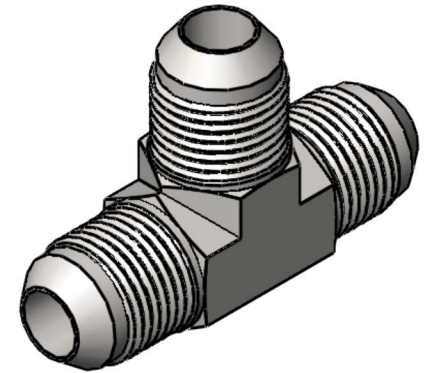
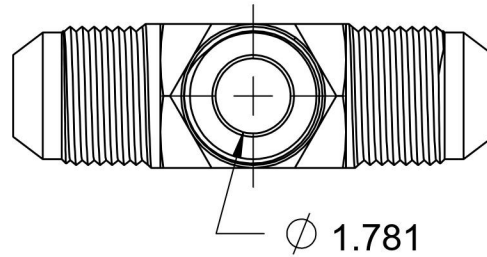


# 2603-32-32-32-SS

Stainless Steel, SAE J514 37° Flare Union Tee, 2" Male JIC



6701 Cochran Road  
Solon, Ohio 44139  
Phone: (440) 248-1880  
Toll Free: 1-888-331-1523

<b>Temperature Rating</b>	<b>Material</b>	<b>Industry Standards</b> SAE J514	<b>Series</b> 2603-SS
-425°F to 1200°F	316/316L Stainless Steel		
<b>Pressure Rating</b>	<b>Finish</b>		<b>Series Description</b> SAE J514 37° Flare Union Tee
1500 psi	Passivated		