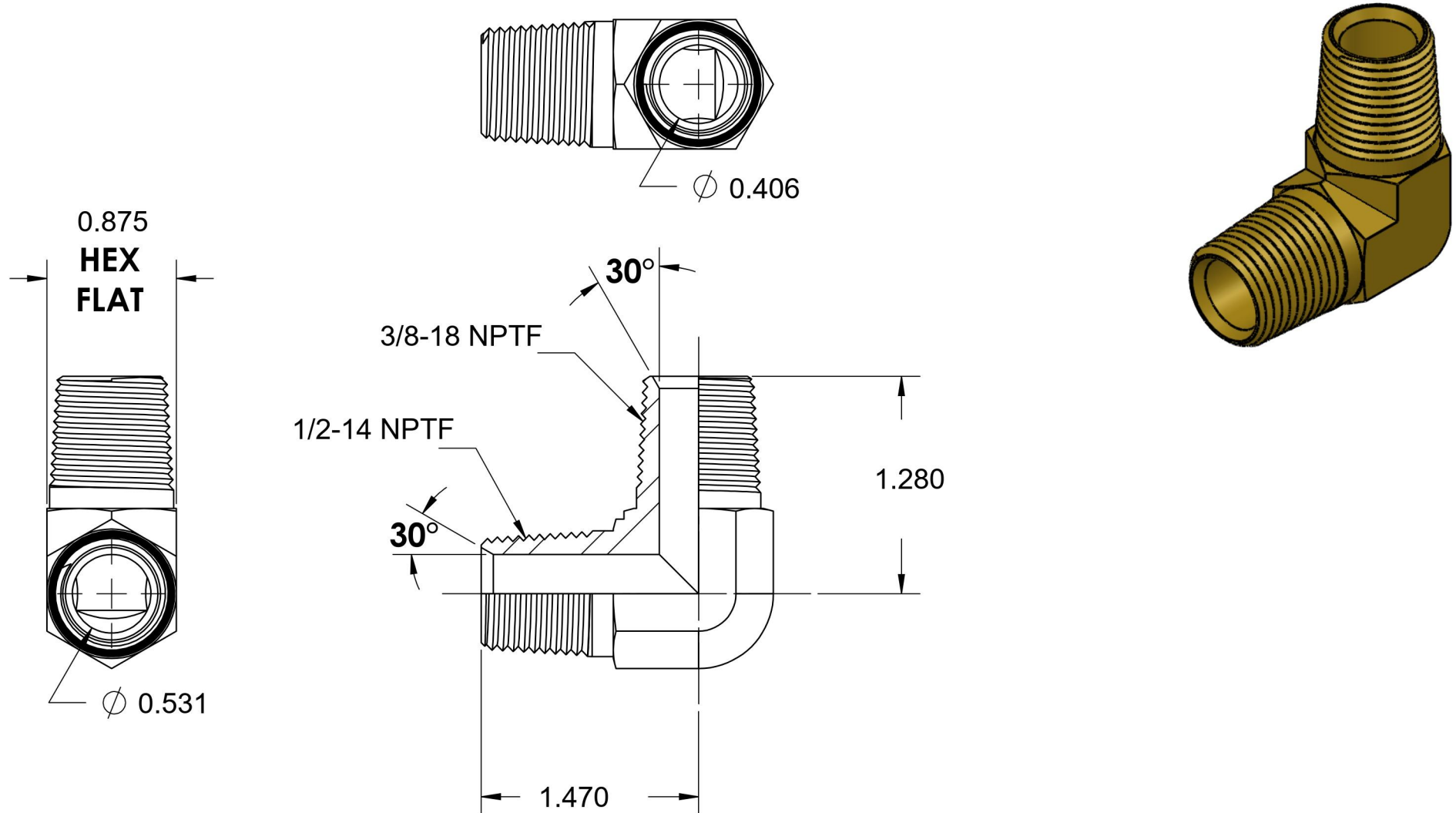


# 5500-08-06-B

Brass, SAE J514 Pipe 90° Male Elbow, 1/2" Male NPTF 30° x 3/8" Male NPTF 30°



6701 Cochran Road  
Solon, Ohio 44139  
Phone: (440) 248-1880  
Toll Free: 1-888-331-1523

<b>Temperature Rating</b>	<b>Material</b>	<b>Industry Standards</b>	<b>Series</b>
-325°F to 400°F	CA37700 Brass	SAE J514 , SAE J476	5500-B
<b>Pressure Rating</b>	<b>Finish</b>		<b>Series Description</b>
3300 psi	Natural Finish		SAE J514 Pipe 90° Male Elbow