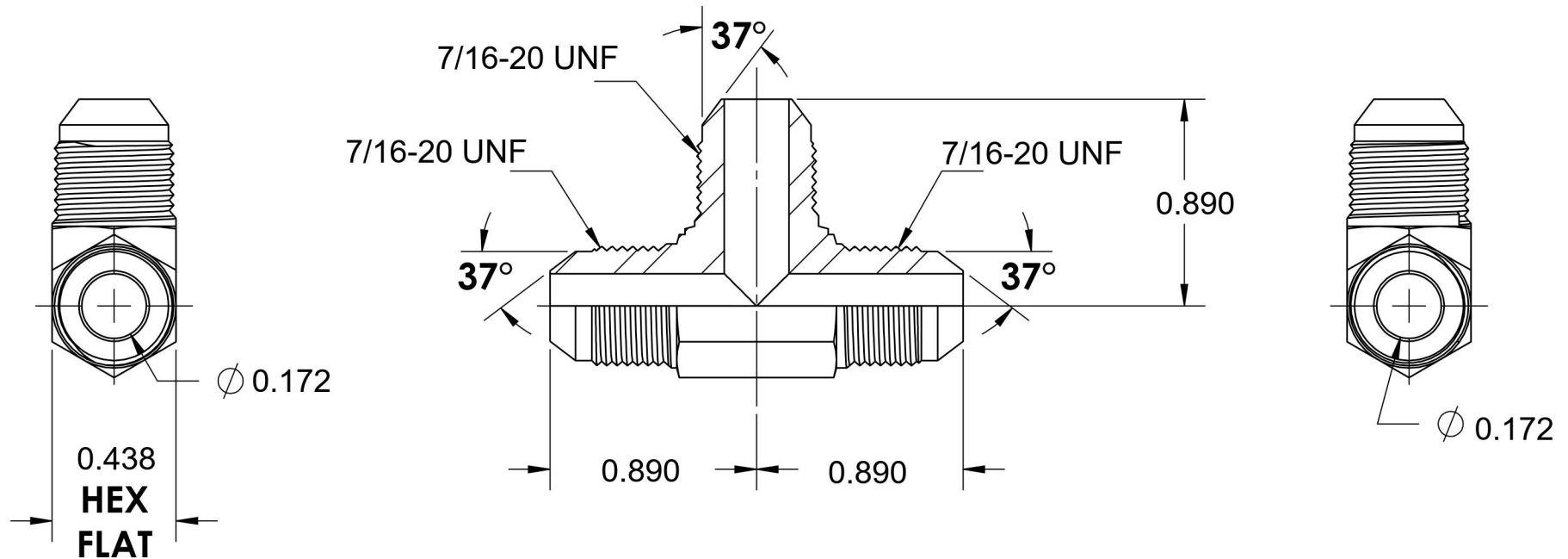
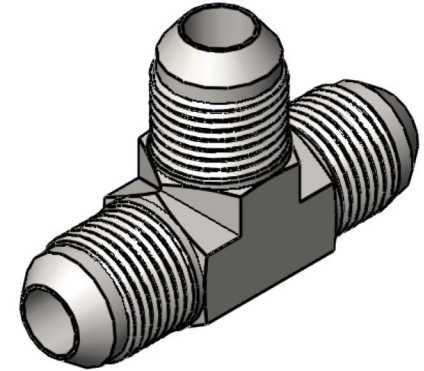
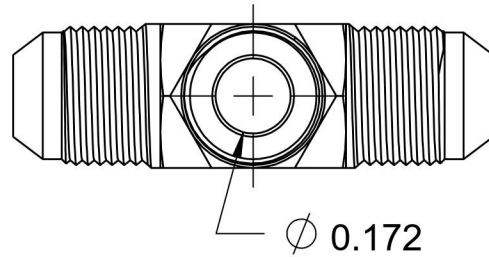


2603-04-04-04-SS

Stainless Steel, SAE J514 37° Flare Union Tee, 1/4" Male JIC



6701 Cochran Road
Solon, Ohio 44139
Phone: (440) 248-1880
Toll Free: 1-888-331-1523

Temperature Rating

-425°F to 1200°F

Pressure Rating

7700 psi

Material

316/316L Stainless Steel

Finish

Passivated

Industry Standards

SAE J514

Series

2603-SS

Series Description

SAE J514 37° Flare Union Tee