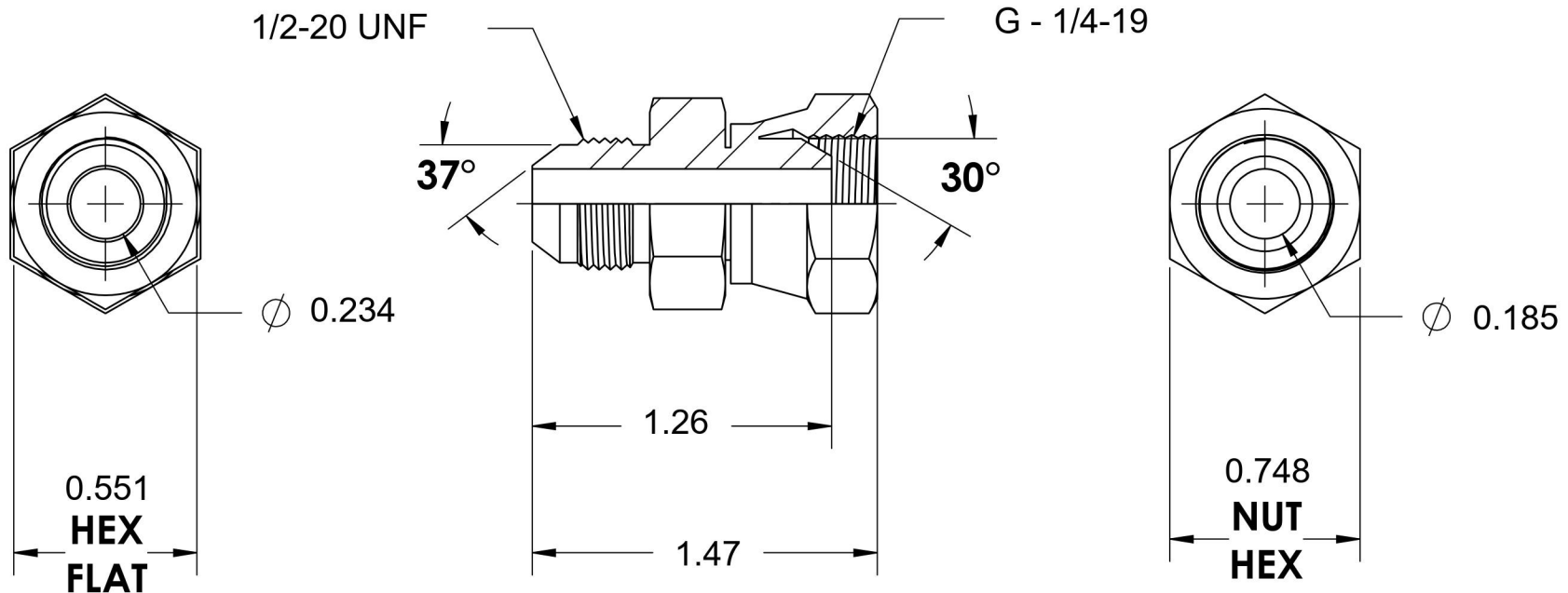
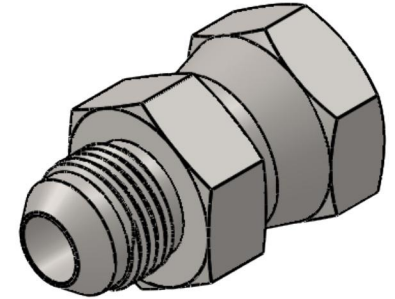


7004-05-04

Steel, SAE J514 37° Flare BSPP Swivel Line Adapter, 5/16" Male JIC x 1/4-19 Female BSPP Swivel



6701 Cochran Road
Solon, Ohio 44139
Phone: (440) 248-1880
Toll Free: 1-888-331-1523

| | | | |
|---------------------------|---------------------|---------------------------|---|
| Temperature Rating | Material | Industry Standards | Series |
| -65°F to 500°F | C1045 / 12L14 Steel | SAE J514, ISO 8434-6 | 7004 |
| Pressure Rating | Finish | ASTM B633 | Series Description |
| 4000 psi | Trivalent Zinc | | SAE J514 37° Flare BSPP Swivel Line Adapter |