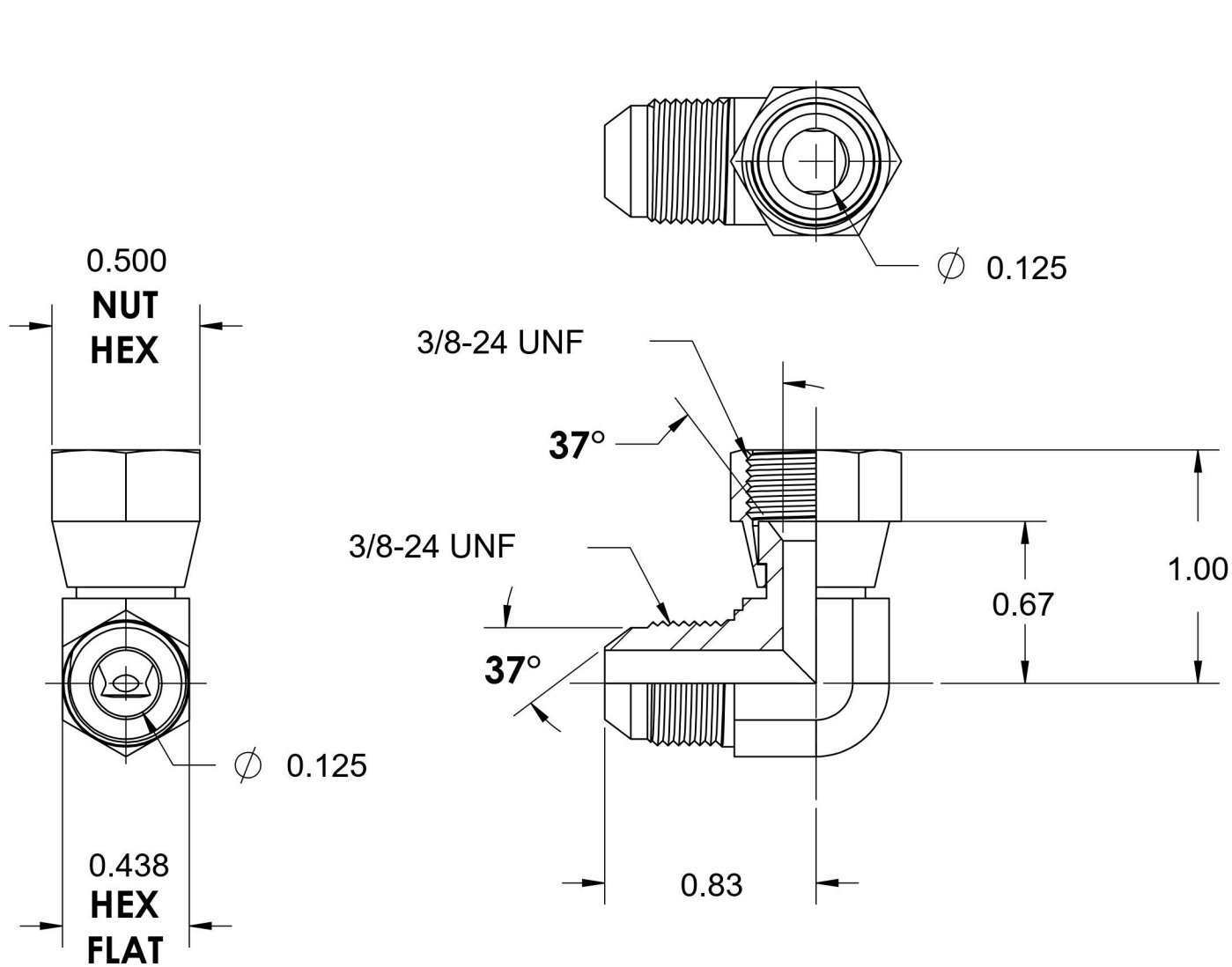


# 6500-03-03-FG

Steel, SAE J514 37° Flare 90° Swivel Elbow, 3/16" Male JIC x 3/16" Female JIC Swivel



6701 Cochran Road  
Solon, Ohio 44139  
Phone: (440) 248-1880  
Toll Free: 1-888-331-1523

|   |                                 |  |   |
|---|---------------------------------|--|---|
| <b>Temperature Rating</b><br>-65°F to 500°F | <b>Material</b><br>C1045 Steel  | <b>Industry Standards</b><br>SAE J514, ASTM B633 | <b>Series</b><br>6500-FG  |
| <b>Pressure Rating</b><br>7500 psi          | <b>Finish</b><br>Trivalent Zinc |  | <b>Series Description</b><br>SAE J514 37° Flare<br>90° Swivel Elbow |