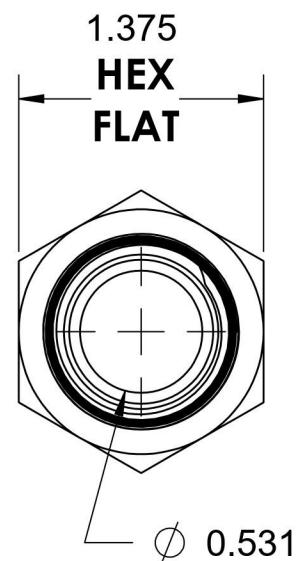
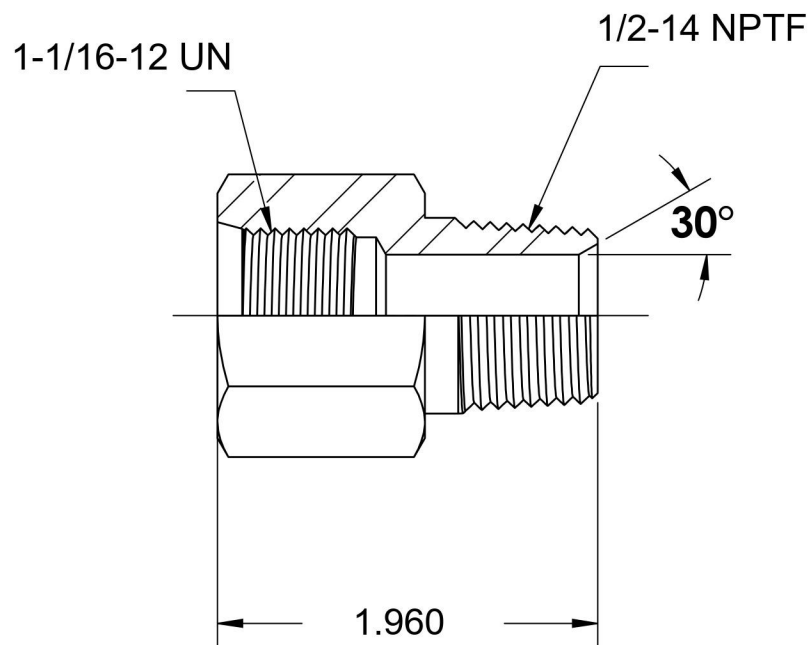
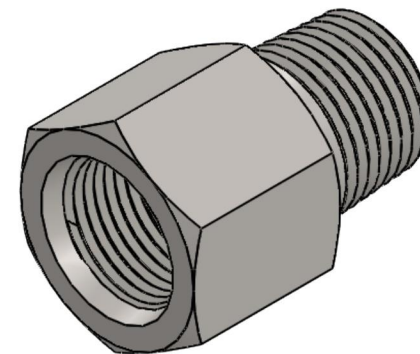


6404-12-08

Steel, SAE J1926 O-Ring Boss Male Adapter, 1-1/16-12 Female ORB x 1/2" Male NPTF 30°



6701 Cochran Road
Solon, Ohio 44139
Phone: (440) 248-1880
Toll Free: 1-888-331-1523

Temperature Rating	Material	Industry Standards	Series
-65°F to 500°F	C1045/12L14 Steel	SAE J1926-1, SAE J476 ASTM B633	6404
Pressure Rating	Finish		Series Description
4500 psi	Trivalent Zinc		SAE J1926 O-Ring Boss Male Adapter