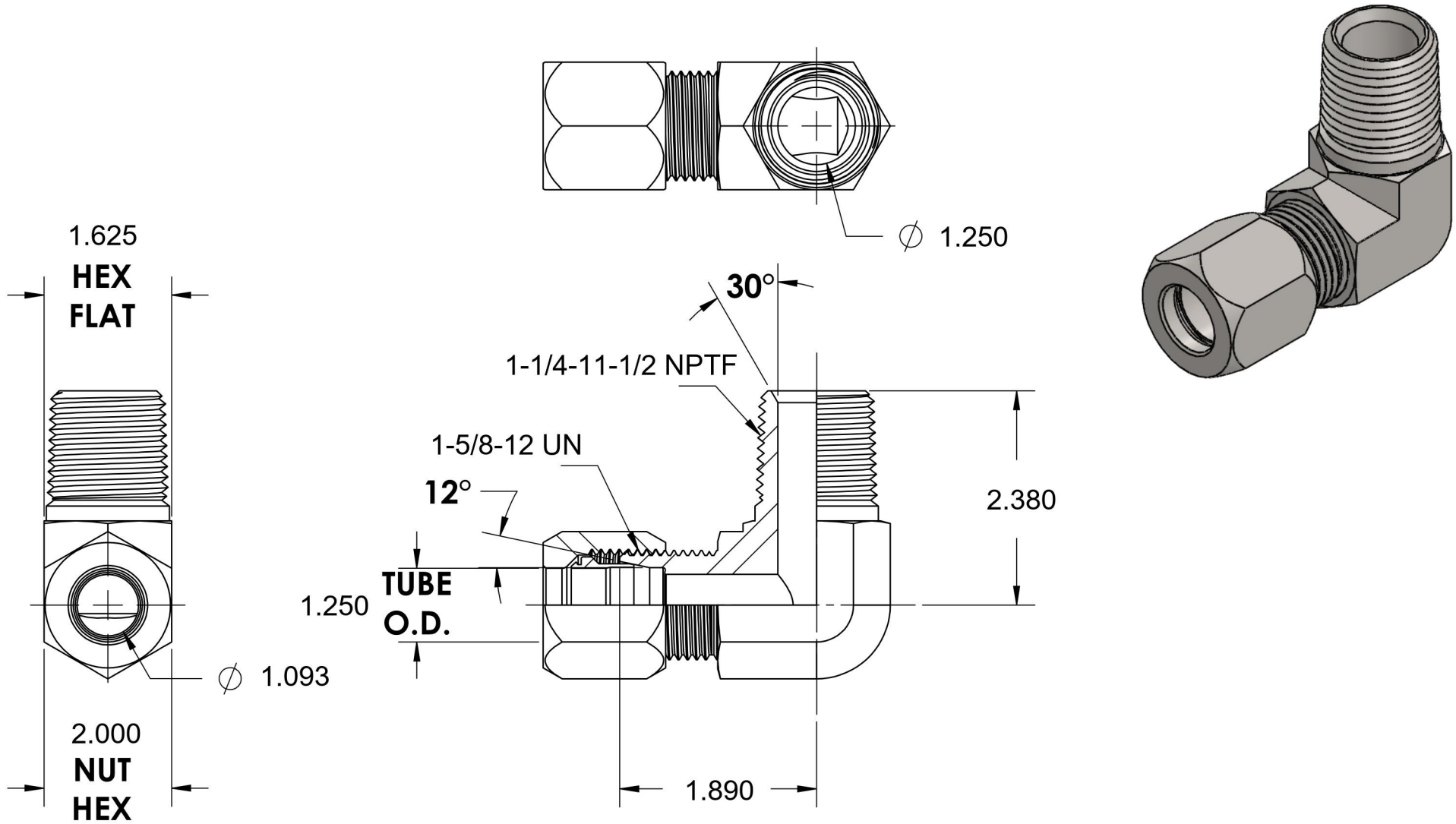


# C2501-20-20-SS

Stainless Steel, SAE J514 Flareless Tube 90° Male Elbow, 1-1/4" Flareless Bite Type x 1-1/4" Male NPTF 30°



6701 Cochran Road  
Solon, Ohio 44139  
Phone: (440) 248-1880  
Toll Free: 1-888-331-1523

**Temperature Rating**

-425°F to 1200°F

**Pressure Rating**

2500 psi

**Material**

316/316L Stainless Steel

**Finish**

Passivated

**Industry Standards**

SAE J514, SAE J476

**Series**

C2501-SS

**Series Description**

SAE J514 Flareless Tube  
90° Male Elbow