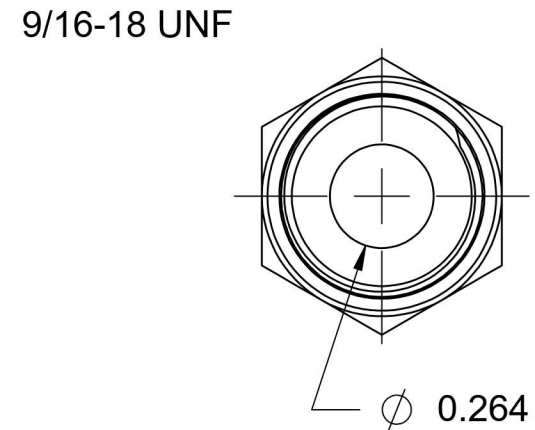
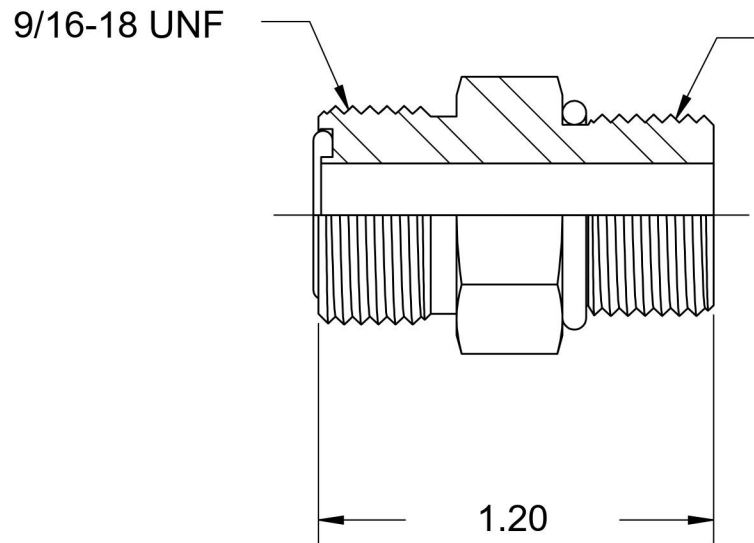
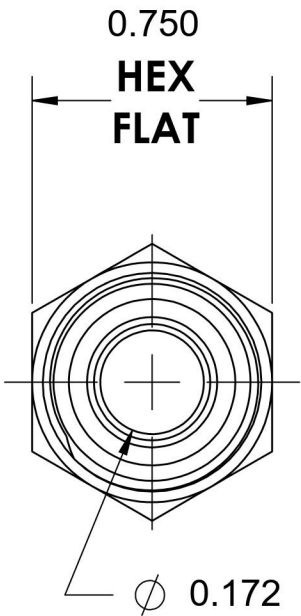


# FS6400-04-06-O-VITON

Steel, SAE J1453 O-Ring Face Seal Port Connector, 1/4" Male ORFS x 9/16-18 Male ORB, FKM Seal



6701 Cochran Road  
Solon, Ohio 44139  
Phone: (440) 248-1880  
Toll Free: 1-888-331-1523

|                           |                     |   |                                 |
|---------------------------|---------------------|---|---------------------------------|
| <b>Temperature Rating</b> | <b>Material</b>     | <b>Industry Standards</b><br>SAE J1453, SAE J1926-2<br>ASTM B633          | <b>Series</b><br>FS6400-O-VITON |
| -15°F to 400°F            | C1045 / 12L14 Steel |   |                                 |
| <b>Pressure Rating</b>    | <b>Finish</b>       | <b>Series Description</b><br>SAE J1453 O-Ring Face Seal<br>Port Connector |                                 |
| 9200 psi                  | Trivalent Zinc      |   |                                 |