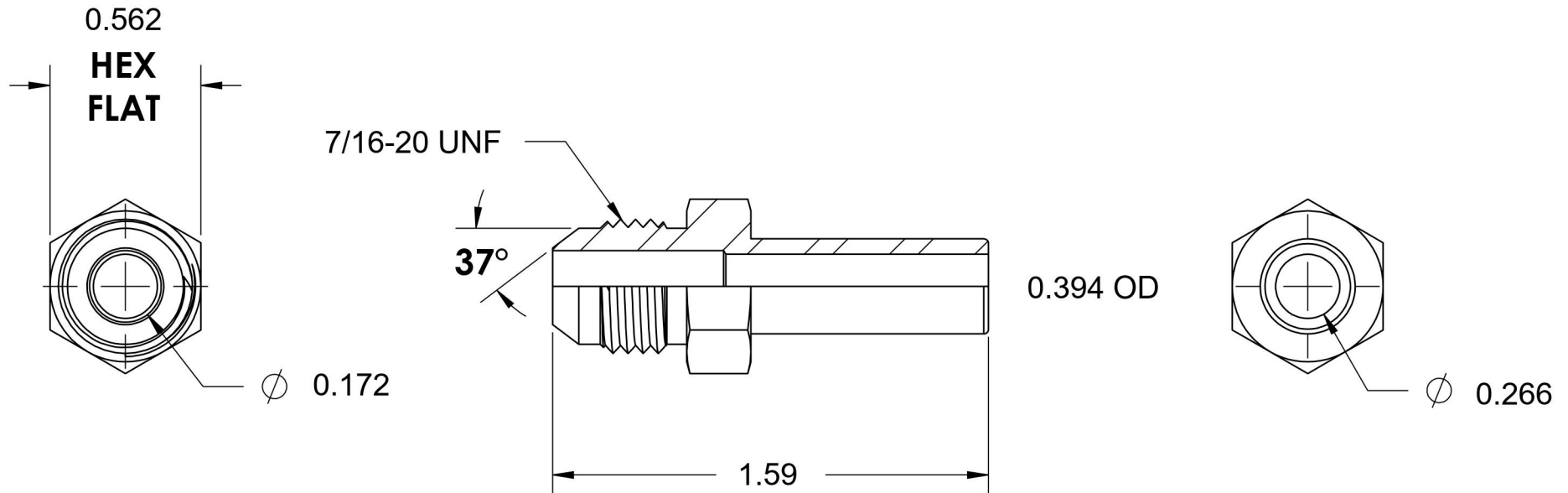


7006-04-10

Steel, SAE J514 37° Flare DIN Standpipe Adapter, 1/4" Male JIC x 10mm Standpipe



6701 Cochran Road
Solon, Ohio 44139
Phone: (440) 248-1880
Toll Free: 1-888-331-1523

Temperature Rating	Material	Industry Standards	Series
-65°F to 500°F	C1045 / 12L14 Steel	SAE J514, ISO 8434-1	7006
Pressure Rating	Finish	DIN 2353, ASTM B633	Series Description
Not Available	Trivalent Zinc		SAE J514 37° Flare DIN Standpipe Adapter