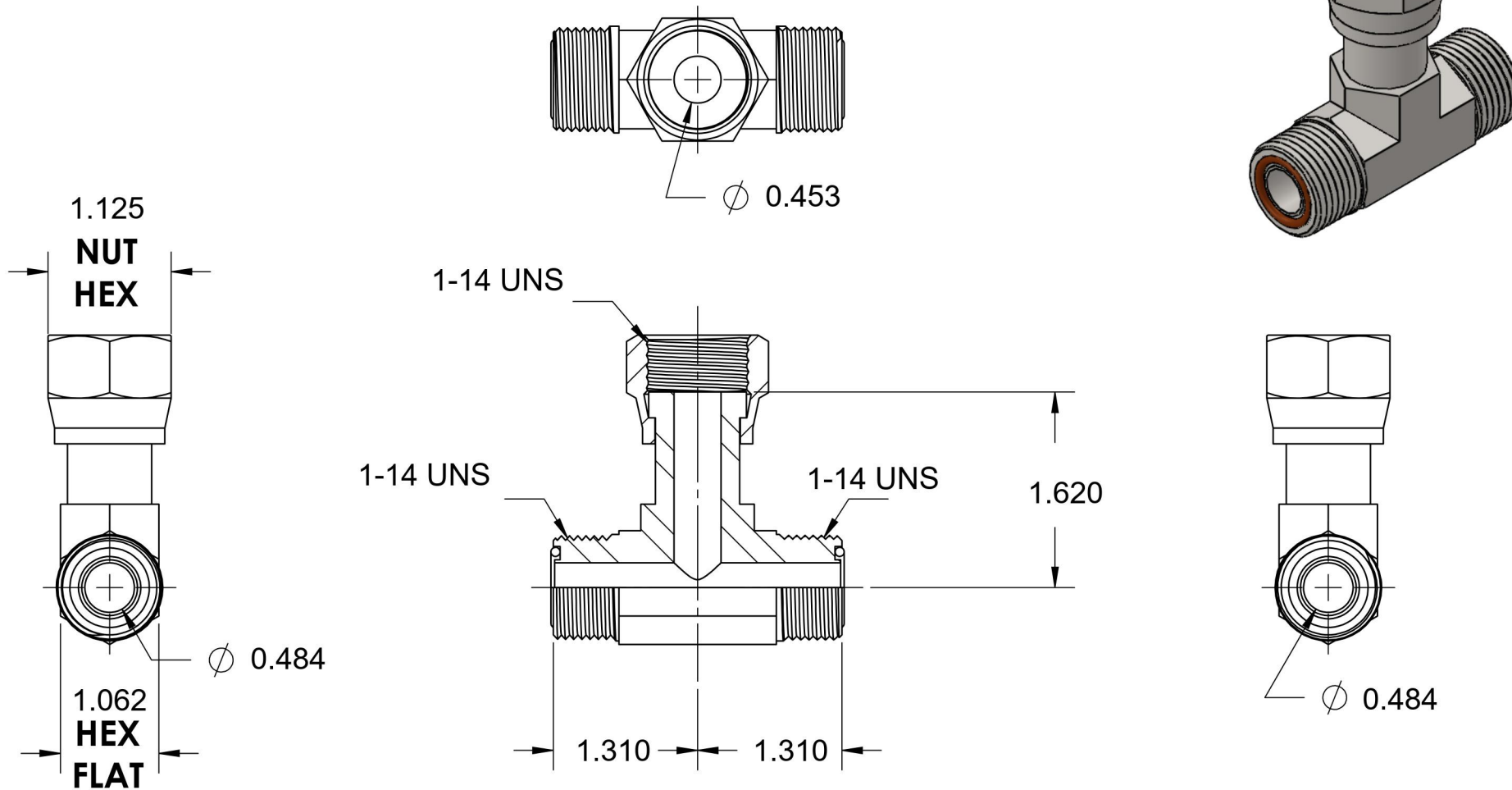


FS6600-10-10-10-FG-VITON

Steel, SAE J1453 O-Ring Face Seal Swivel Branch Tee, 5/8" Male ORFS x 5/8" Male ORFS x 5/8" Female ORFS Swivel, FKM Seal



6701 Cochran Road
Solon, Ohio 44139
Phone: (440) 248-1880
Toll Free: 1-888-331-1523

Temperature Rating

-15°F to 400°F

Pressure Rating

6000 psi

Material

C1045 Steel

Finish

Trivalent Zinc

Industry Standards

SAE J1453, SAE J515
ASTM B633

Series

FS6600-FG-VITON

Series Description

SAE J1453 O-Ring Face Seal
Swivel Branch Tee