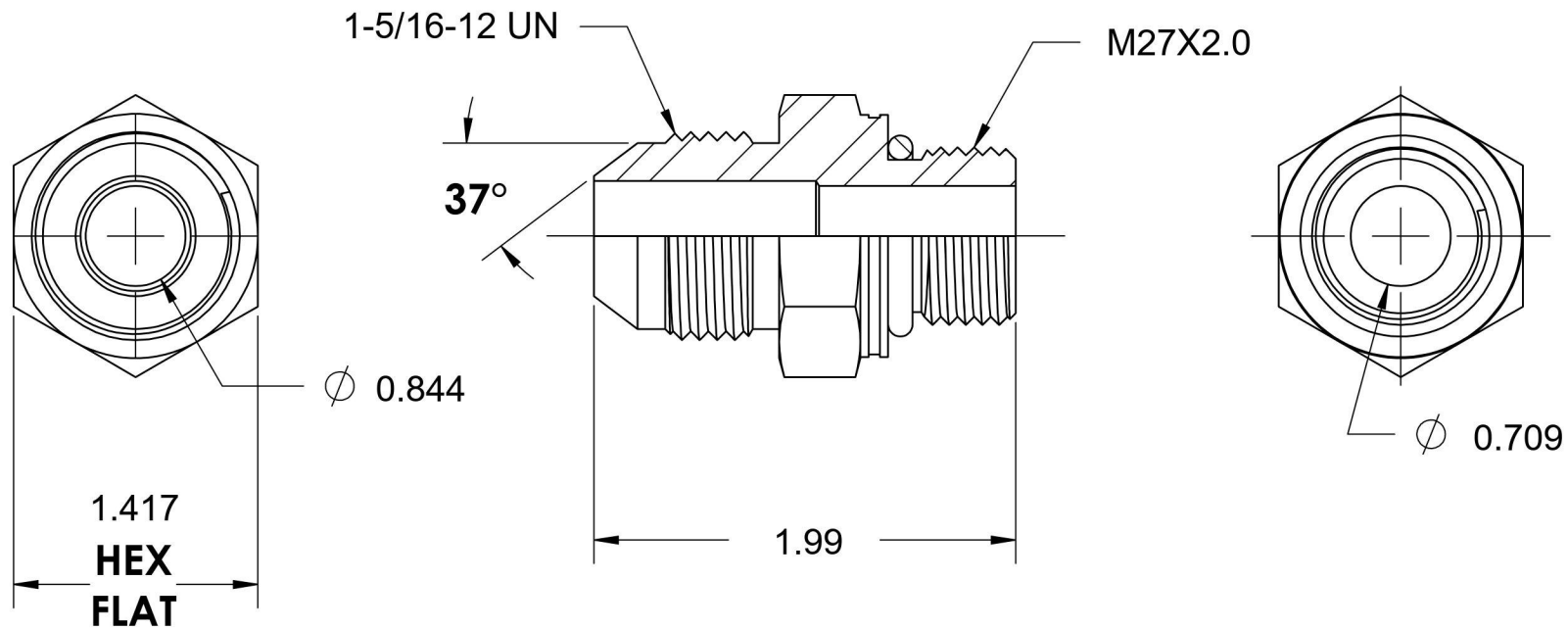
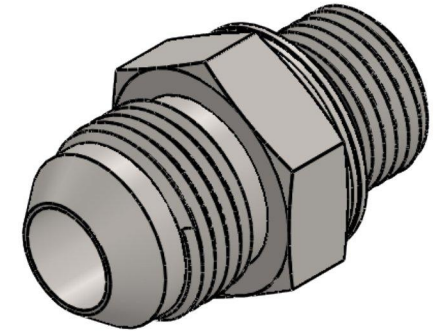


7640-16-27-O

Steel, SAE J514 37° Flare Male Metric (ISO 6149) Port Connector, 1" Male JIC x M27X2.0 Male Metric ORB



6701 Cochran Road
Solon, Ohio 44139
Phone: (440) 248-1880
Toll Free: 1-888-331-1523

| | | | |
|---------------------------|---------------------|---------------------------|--|
| Temperature Rating | Material | Industry Standards | Series |
| -40°F to 250°F | C1045 / 12L14 Steel | SAE J514, ISO 6149 | 7640-O-ISO 6149 |
| Pressure Rating | Finish | ASTM B633 | Series Description |
| 5000 psi | Trivalent Zinc | | SAE J514 37° Flare Male Metric (ISO 6149) Port Connector |