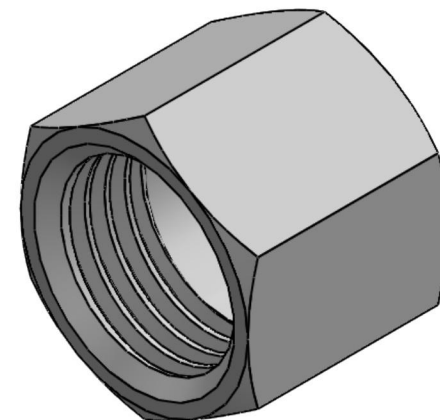
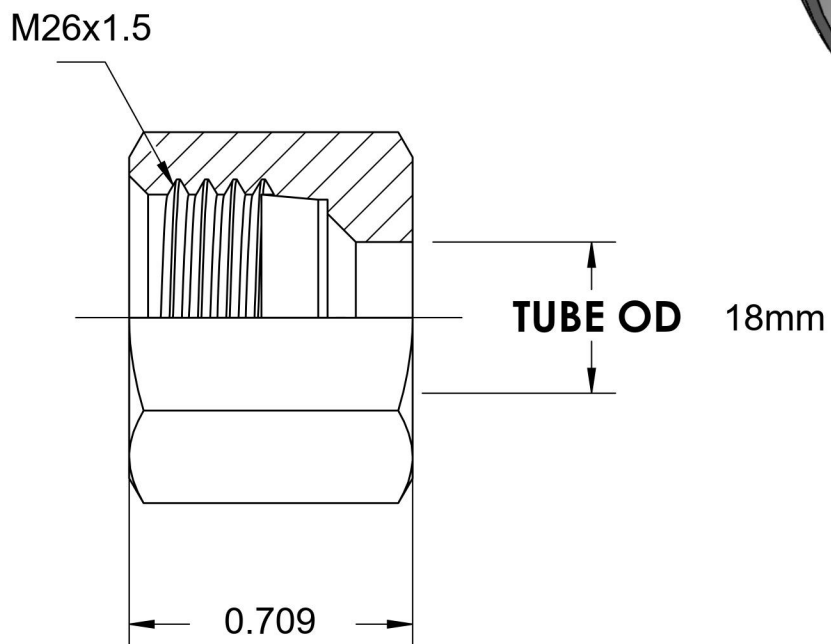
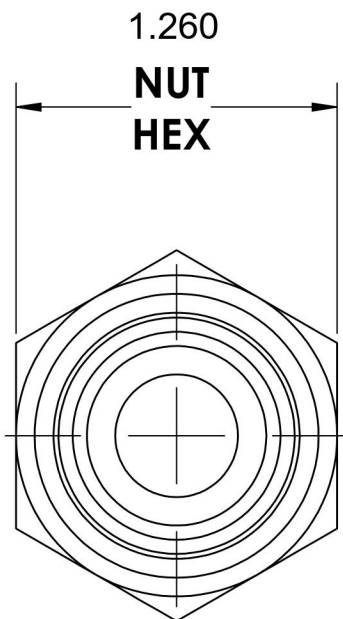


D0318-L18-SS

Stainless Steel, DIN 2353 Tube Nut, Light 18mm Tube OD



6701 Cochran Road
Solon, Ohio 44139
Phone: (440) 248-1880
Toll Free: 1-888-331-1523

Temperature Rating	Material	Industry Standards	Series
-425°F to 1200°F	316Ti Stainless	DIN 2353, ISO 8434-1	D0318
Pressure Rating	Finish		Series Description
5802psi	Passivation		DIN 2353 Flareless Tube Nut