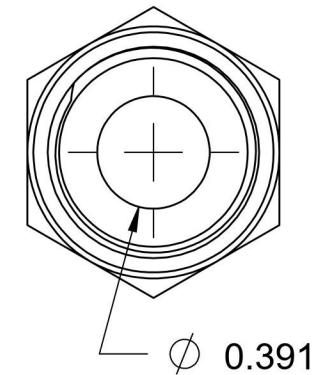
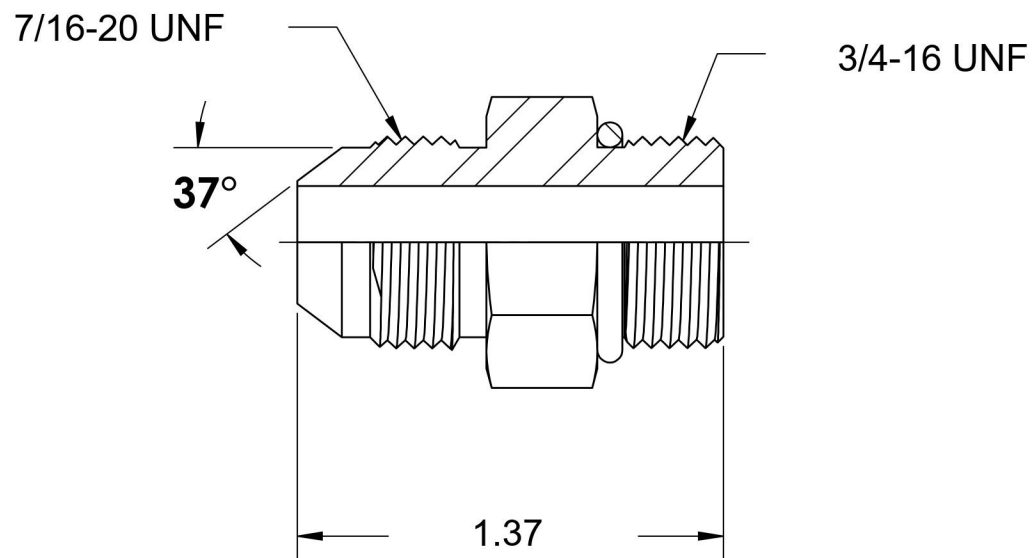
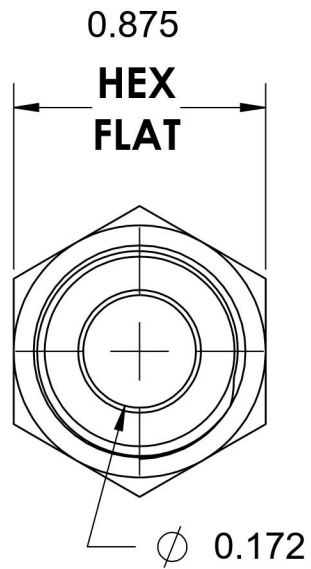
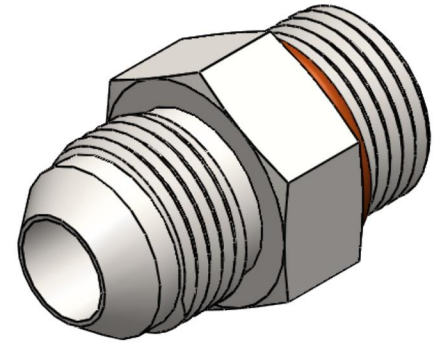


6400-04-08-O-VITON

Steel, SAE J514 37° Flare Port Connector, 1/4" Male JIC x 3/4-16 Male ORB, FKM Seal



6701 Cochran Road
Solon, Ohio 44139
Phone: (440) 248-1880
Toll Free: 1-888-331-1523

| | | | |
|---|--|---|--|
| Temperature Rating -15°F to 400°F | Material C1045 / 12L14 Steel | Industry Standards SAE J514, SAE J1926-3 ASTM B633 | Series 6400-O-VITON |
| Pressure Rating 6000 psi | Finish Trivalent Zinc | | Series Description SAE J514 37° Flare Port Connector |