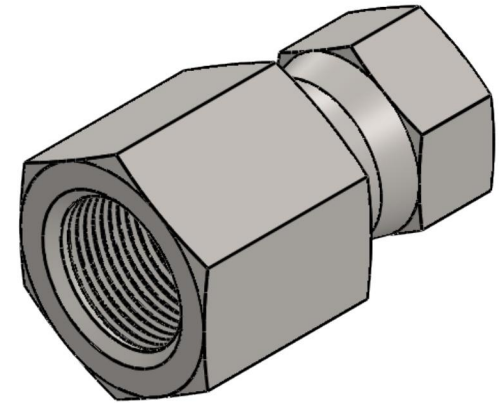
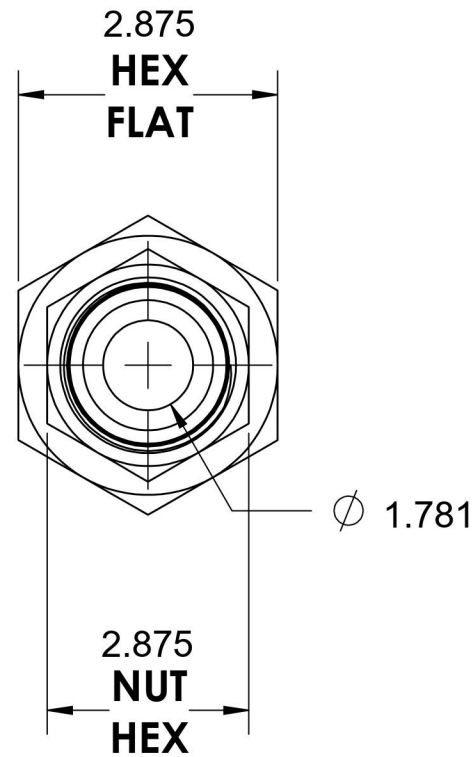
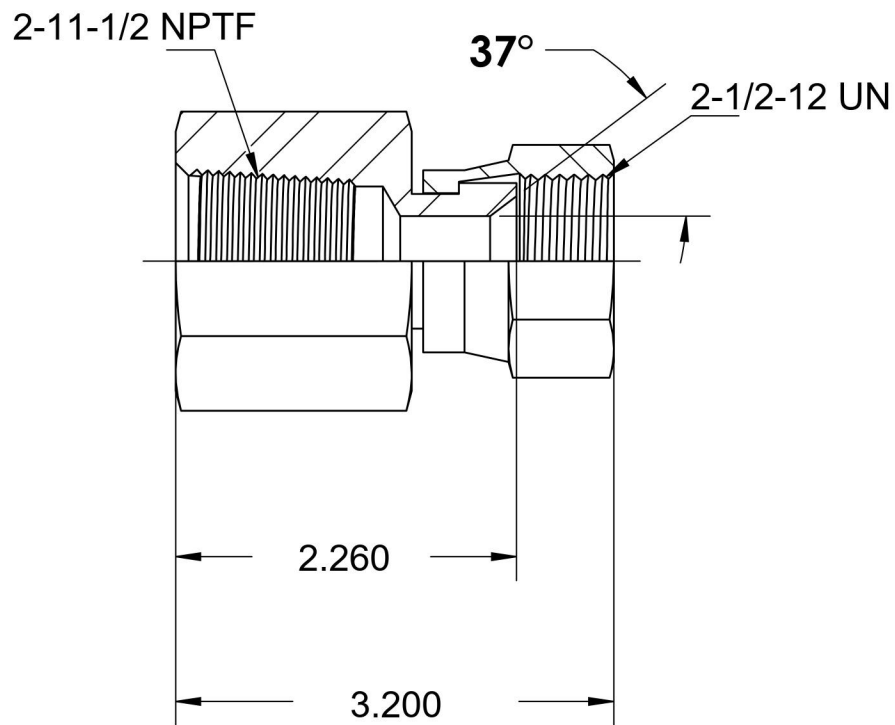


6506-32-32

Steel, SAE J514 37° Flare Swivel Female Connector, 2" Female NPTF x 2" Female JIC Swivel



6701 Cochran Road
Solon, Ohio 44139
Phone: (440) 248-1880
Toll Free: 1-888-331-1523

Temperature Rating	Material	Industry Standards	Series
-65°F to 500°F	C1045/12L14 Steel	SAE J514 , SAE J476 ASTM B633	6506
Pressure Rating	Finish		Series Description
1500 psi	Trivalent Zinc		SAE J514 37° Flare Swivel Female Connector