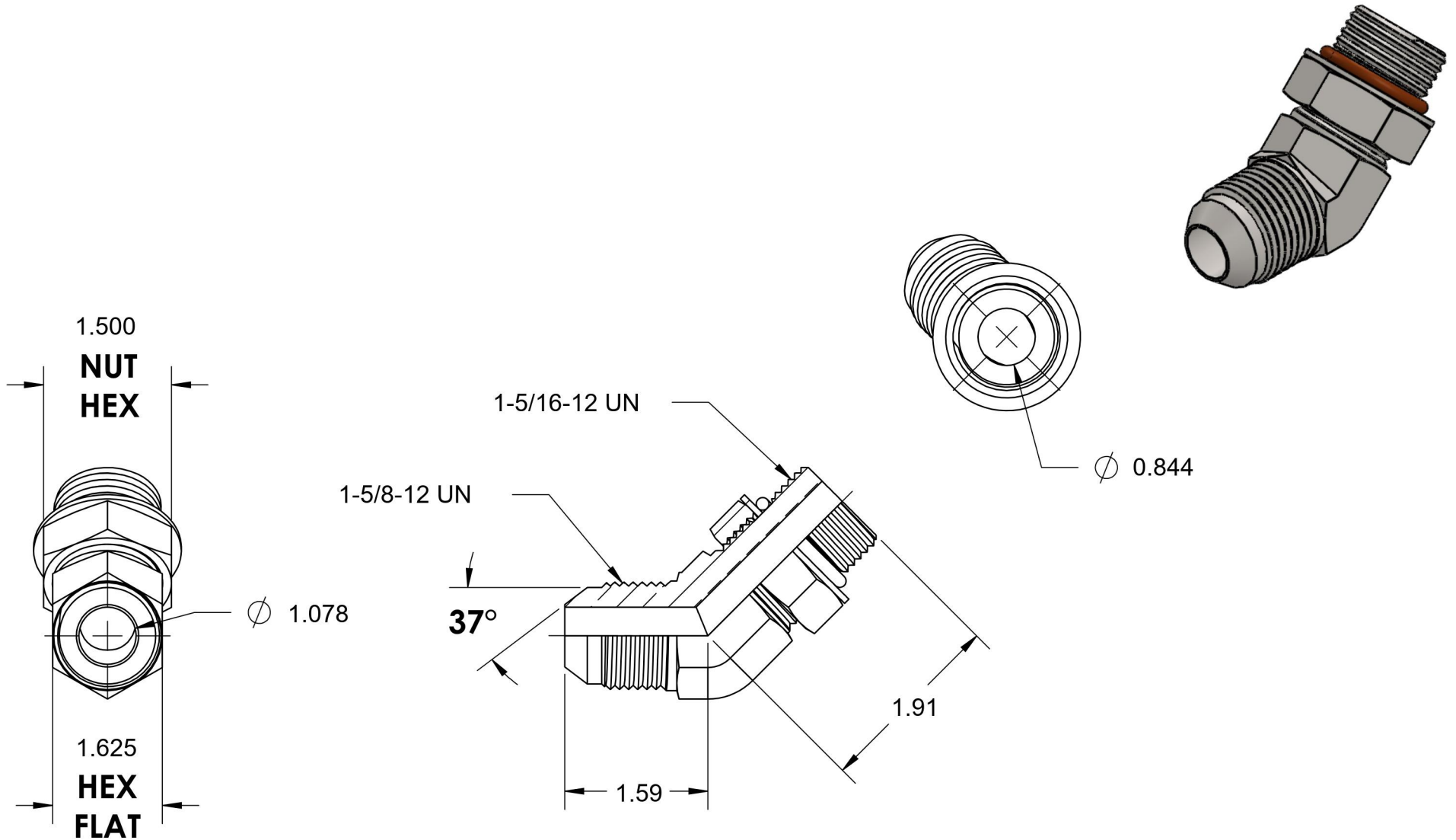


6802-20-16-NWO-FG-VITON

Steel, SAE J514 37° Flare 45° Adjustable Port Elbow, 1-1/4" Male JIC x 1-5/16-12 Male Adjustable ORB, FKM Seal



6701 Cochran Road
Solon, Ohio 44139
Phone: (440) 248-1880
Toll Free: 1-888-331-1523

| | | | |
|---------------------------|-----------------|--|---|
| Temperature Rating | Material | Industry Standards | Series |
| -15°F to 400°F | C1045 Steel | SAE J514, SAE J1926-3 SAE J515, ASTM B633 | 6802-NWO-FG-VITON |
| Pressure Rating | Finish | | Series Description |
| 4000 psi | Trivalent Zinc | | SAE J514 37° Flare 45° Adjustable Port Elbow |