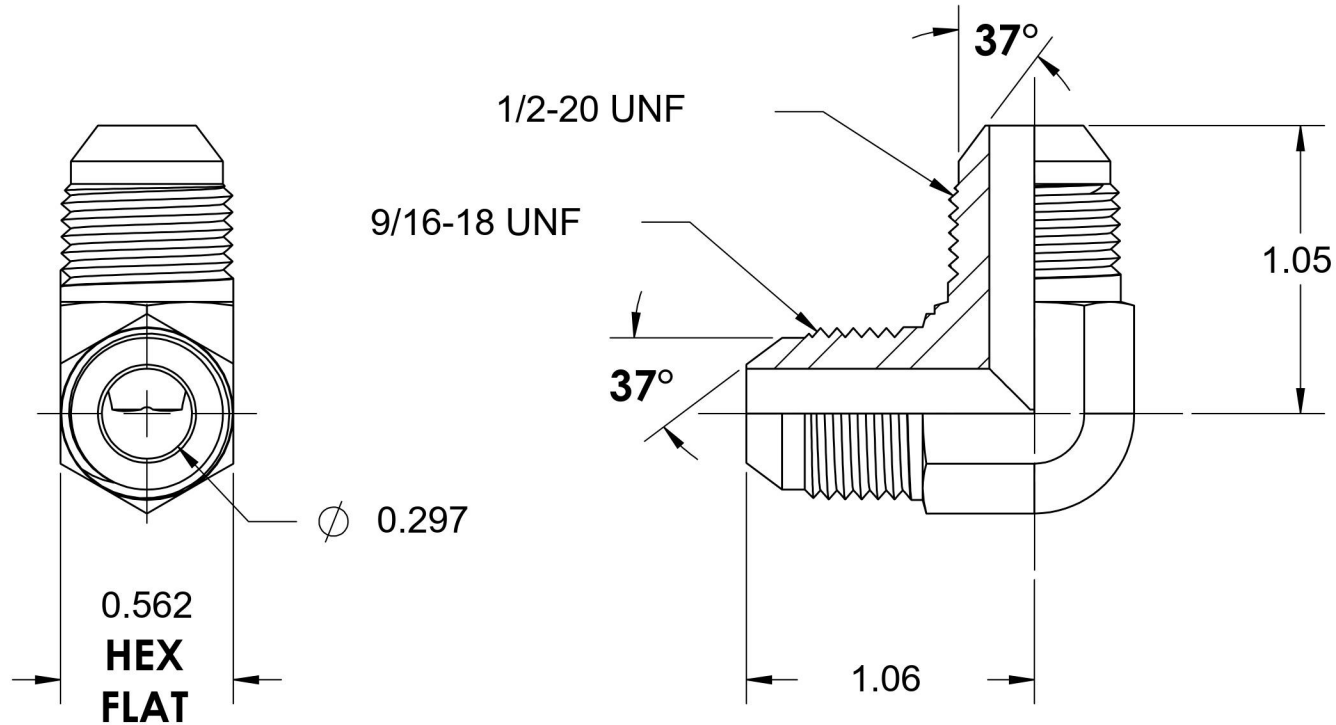
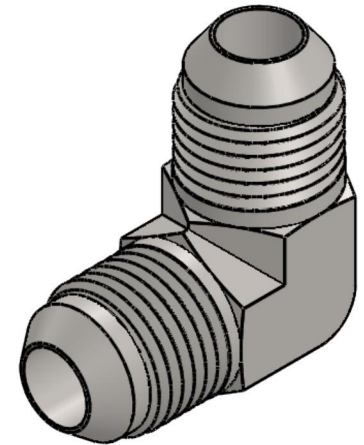
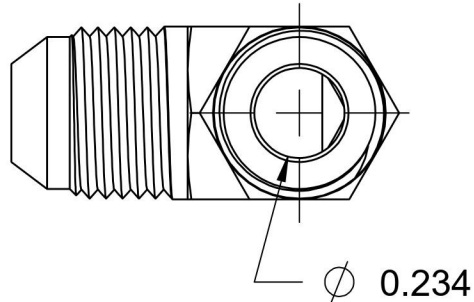


2500-06-05-FG

Steel, SAE J514 37° Flare 90° Union Elbow, 3/8" Male JIC x 5/16" Male JIC



6701 Cochran Road
Solon, Ohio 44139
Phone: (440) 248-1880
Toll Free: 1-888-331-1523

Temperature Rating -65°F to 500°F	Material C1045 Steel	Industry Standards SAE J514, ASTM B633	Series 2500-FG
Pressure Rating 6000 psi	Finish Trivalent Zinc		Series Description SAE J514 37° Flare 90° Union Elbow