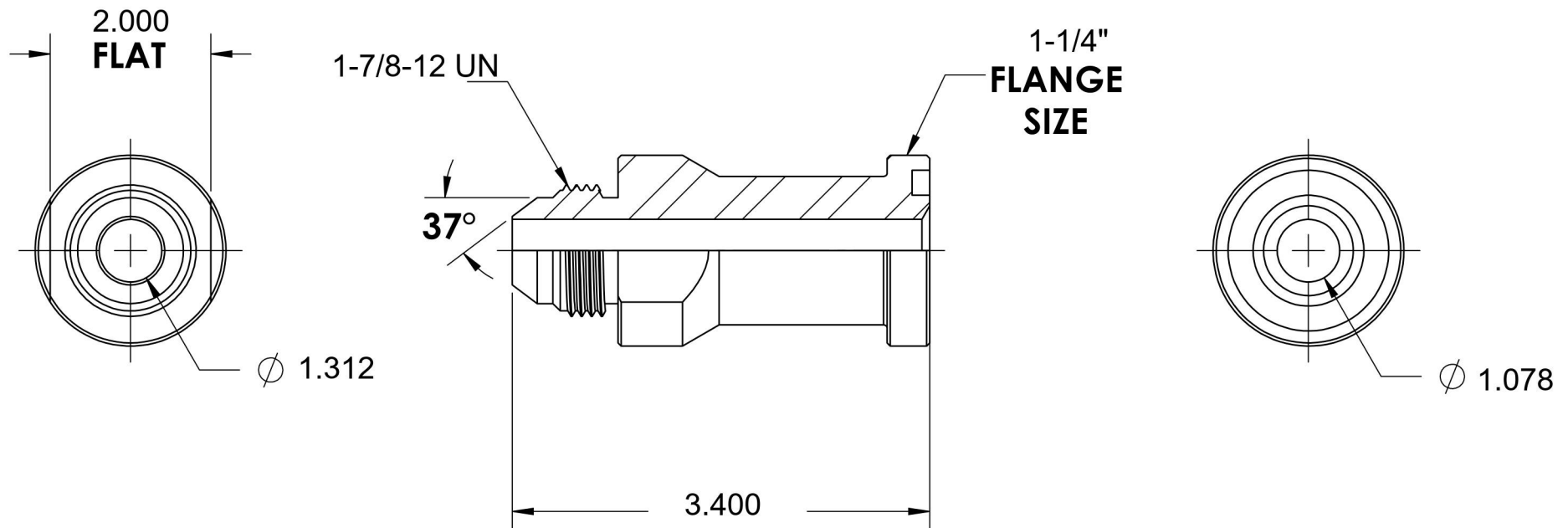
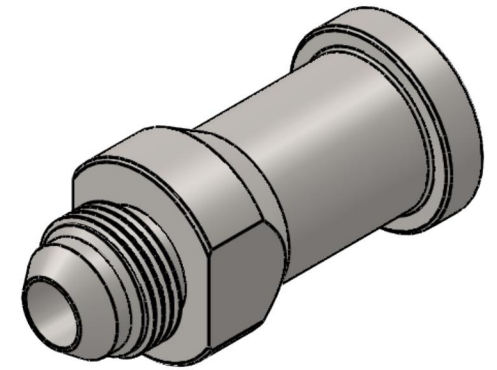


1700-24-20

Steel, SAE J514 37° Flare Code 61 Flange Adapter, 1-1/2" Male JIC x 1-1/4" Split Flange Head



6701 Cochran Road
Solon, Ohio 44139
Phone: (440) 248-1880
Toll Free: 1-888-331-1523

Temperature Rating	Material	Industry Standards	Series
-65°F to 500°F	12L14/C1045 Steel	SAE J518 Code 61 SAE J514, ASTM B633	1700
Pressure Rating	Finish		Series Description
3000 psi	Trivalent Zinc		SAE J514 37° Flare Code 61 Flange Adapter