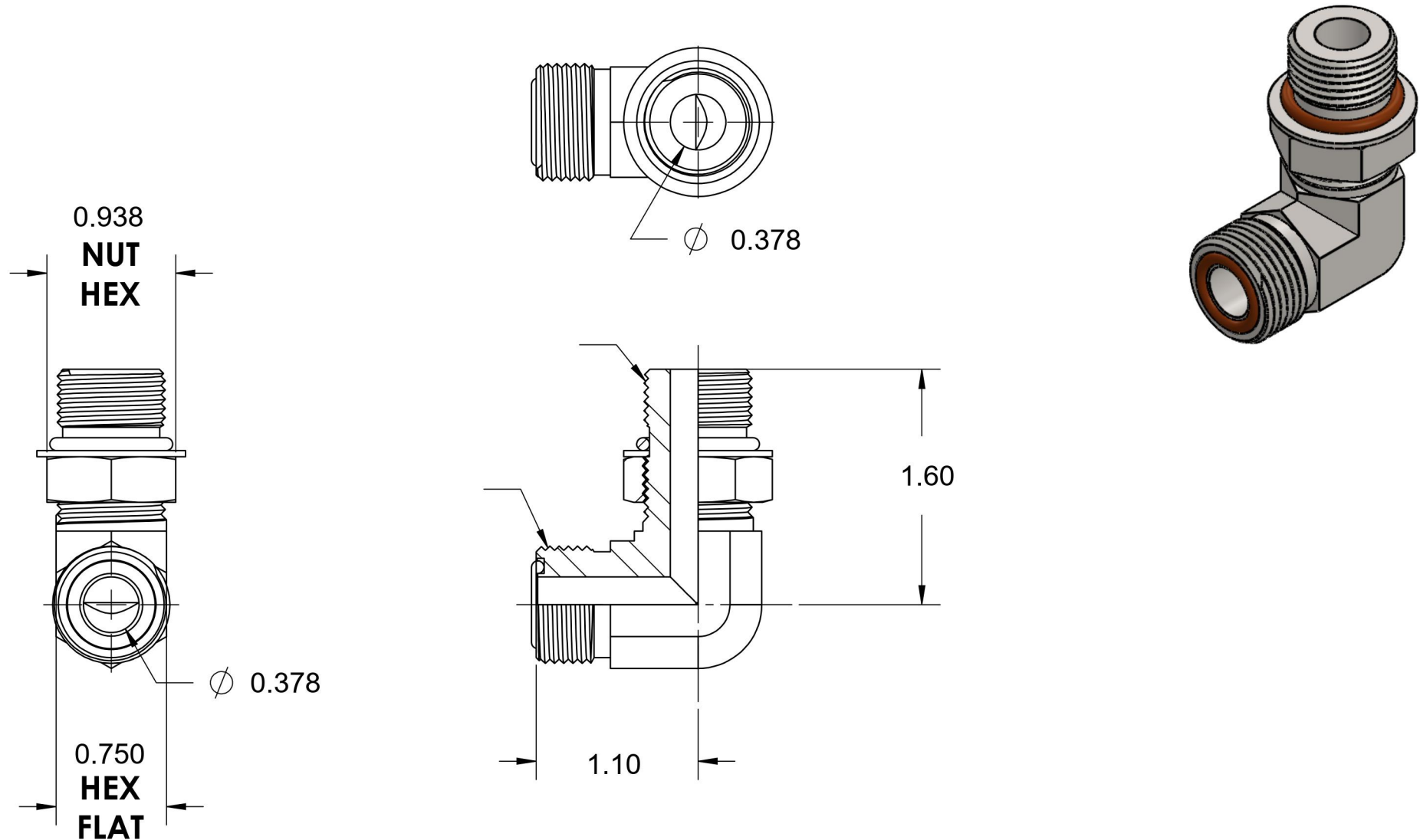


FS6801-08-08-NWO-SS-VITON

Stainless Steel, SAE J1453 O-Ring Face Seal 90° Adjustable Port Elbow, 1/2" Male ORFS x 3/4-16 Male Adjustable ORB, FKM Seal



6701 Cochran Road
Solon, Ohio 44139
Phone: (440) 248-1880
Toll Free: 1-888-331-1523

| | | | |
|---------------------------|--------------------------|---------------------------|---|
| Temperature Rating | Material | Industry Standards | Series |
| -15°F to 400°F | 316/316L Stainless Steel | SAE J1453, SAE J1926-2 | FS6801-NWO-SS-VITON |
| Pressure Rating | Finish | | Series Description |
| 6000 psi | Passivated | | SAE J1453 O-Ring Face Seal 90° Adjustable Port Elbow |