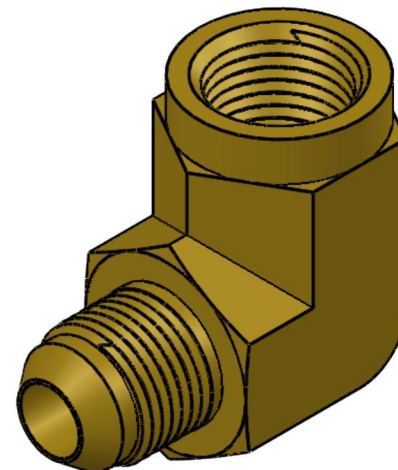
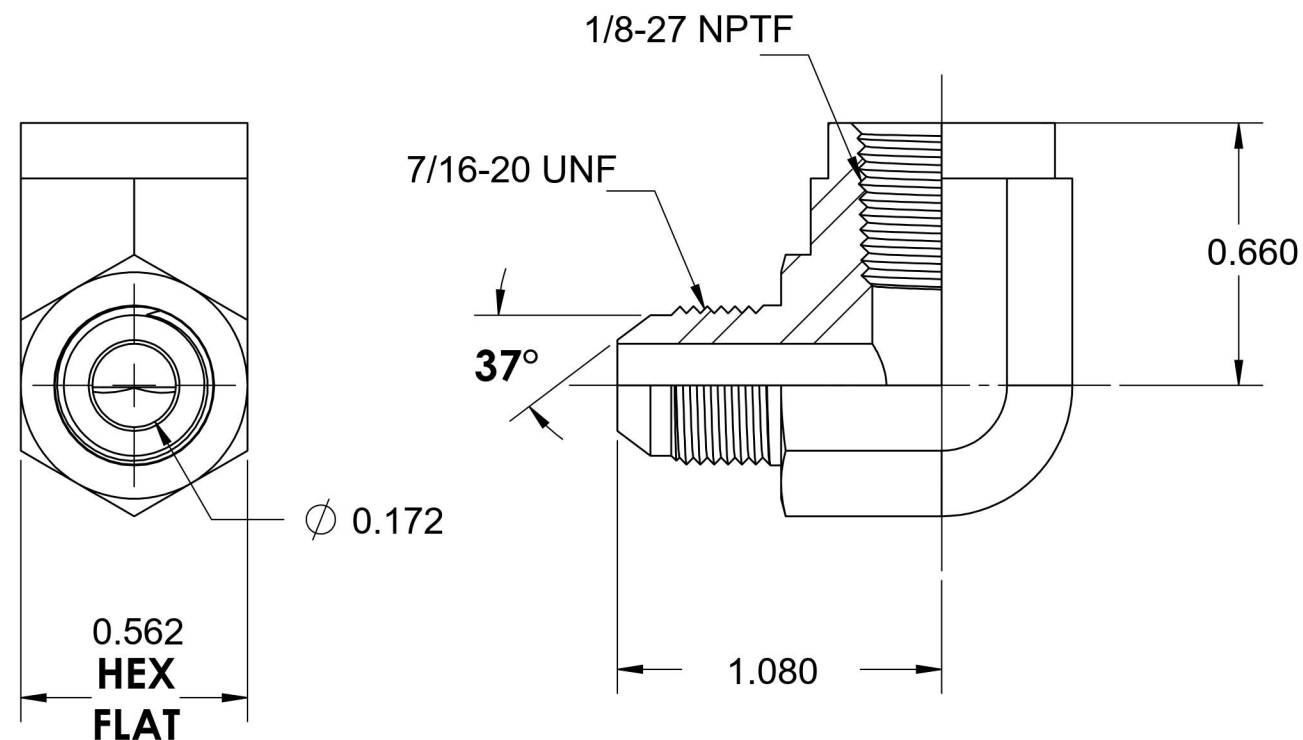


2502-04-02-B

Brass, SAE J514 37° Flare 90° Female Elbow, 1/4" Male JIC x 1/8" Female NPTF



6701 Cochran Road
Solon, Ohio 44139
Phone: (440) 248-1880
Toll Free: 1-888-331-1523

Temperature Rating -325°F to 400°F	Material CA377 Brass	Industry Standards SAE J514 , SAE J476	Series 2502-B
Pressure Rating 3300 psi	Finish Natural Finish		Series Description SAE J514 37° Flare 90° Female Elbow