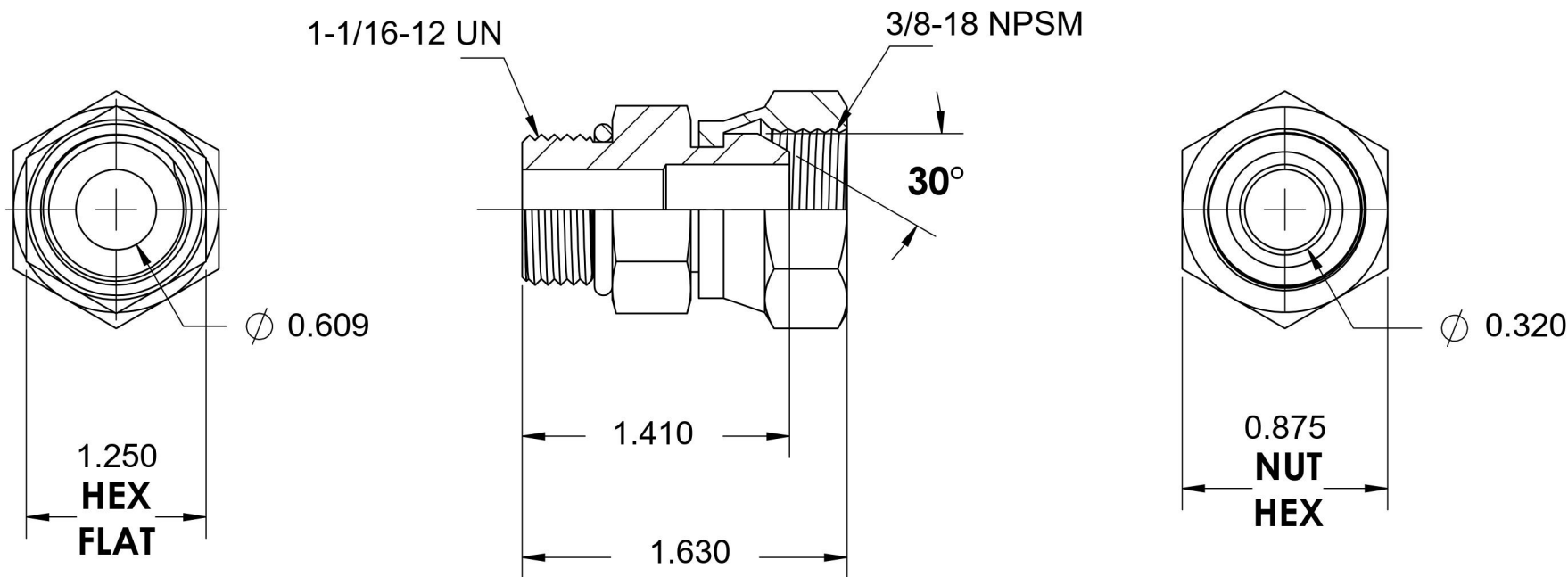
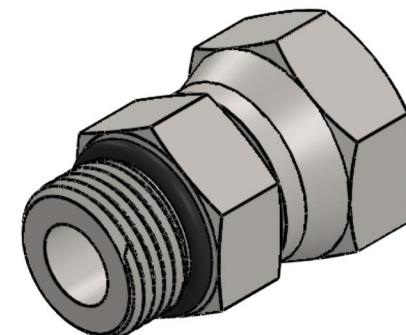


# 6900-12-06-O

Steel, SAE J514 NPSM Swivel Port Connector, 1-1/16-12 Male ORB x 3/8" Female NPSM Swivel



6701 Cochran Road  
Solon, Ohio 44139  
Phone: (440) 248-1880  
Toll Free: 1-888-331-1523

#### Temperature Rating

-40°F to 250°F

#### Pressure Rating

5000 psi

#### Material

C1045/12L14 Steel

#### Finish

Trivalent Zinc

#### Industry Standards

SAE J514, SAE J476  
SAE J1926-3, SAE J515  
ASTM B633

#### Series

6900-O

#### Series Description

SAE J514 NPSM Swivel Port Connector