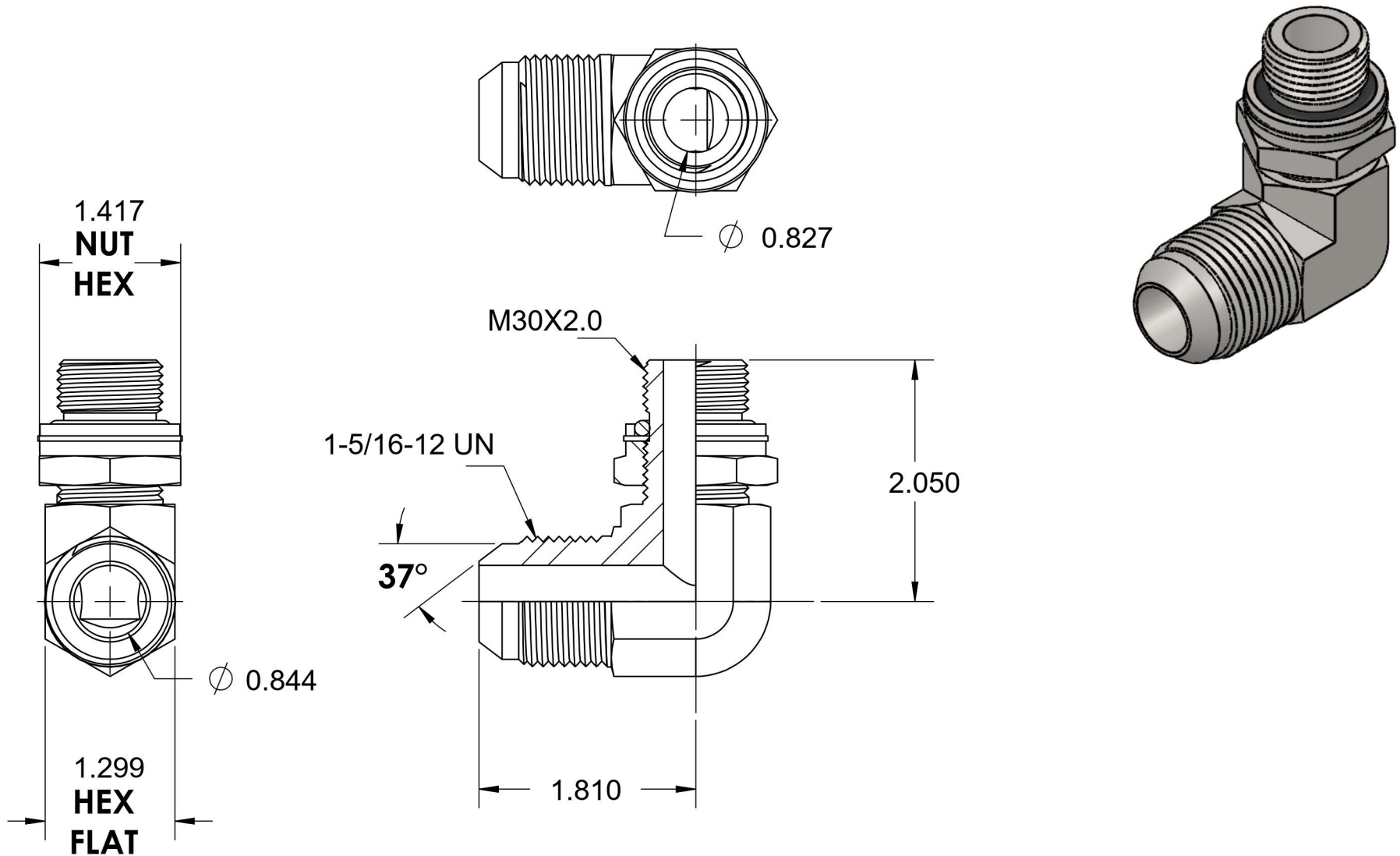


7205-16-30-NWO-FG

Steel, SAE J514 37° Flare Male Metric Adjustable (Type H) Port 90° Elbow, 1" Male JIC x M30X2.0 Male Metric Adjustable ORR



6701 Cochran Road
Solon, Ohio 44139
Phone: (440) 248-1880
Toll Free: 1-888-331-1523

Temperature Rating

-40°F to 250°F

Pressure Rating

2000 psi

Material

C1045 Steel

Finish

Trivalent Zinc

Industry Standards

SAE J514, ISO 9974
ASTM B633

Series

7205-NWO-FG-ORR

Series Description

SAE J514 37° Flare Male Metric Adjustable (Type H) Port 90° Elbow