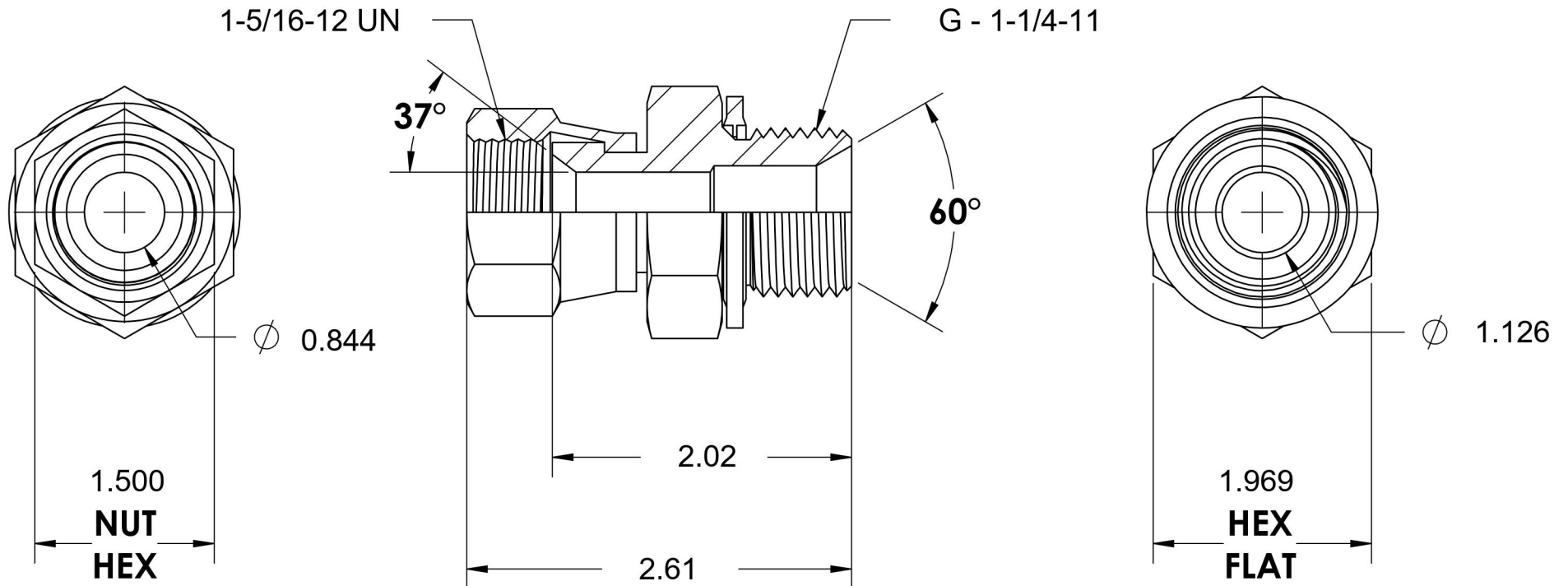
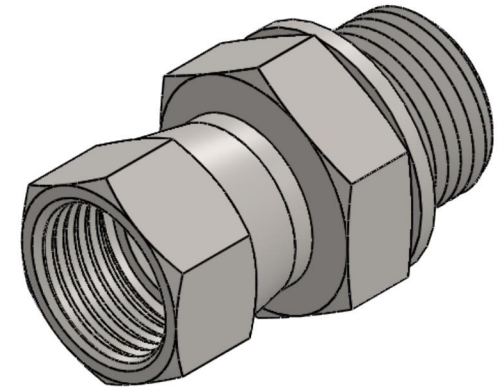


7022-16-20-SS-BS

Stainless Steel, SAE J514 37° Flare Swivel BSPP Type (D) Bonded Seal Port/Line Connector, 1" Female JIC Swivel x 1-1/4-11 Male BSPP 60° Line/Port



6701 Cochran Road
Solon, Ohio 44139
Phone: (440) 248-1880
Toll Free: 1-888-331-1523

Temperature Rating

-40°F to 250°F

Pressure Rating

1500 psi

Material

316/316L Stainless Steel

Finish

Passivated

Industry Standards

SAE J514, ISO 1179

ISO 8434-6

Series

7022-BS-SS

Series Description

SAE J514 37° Flare Swivel BSPP Type (D)
Bonded Seal Port/Line Connector