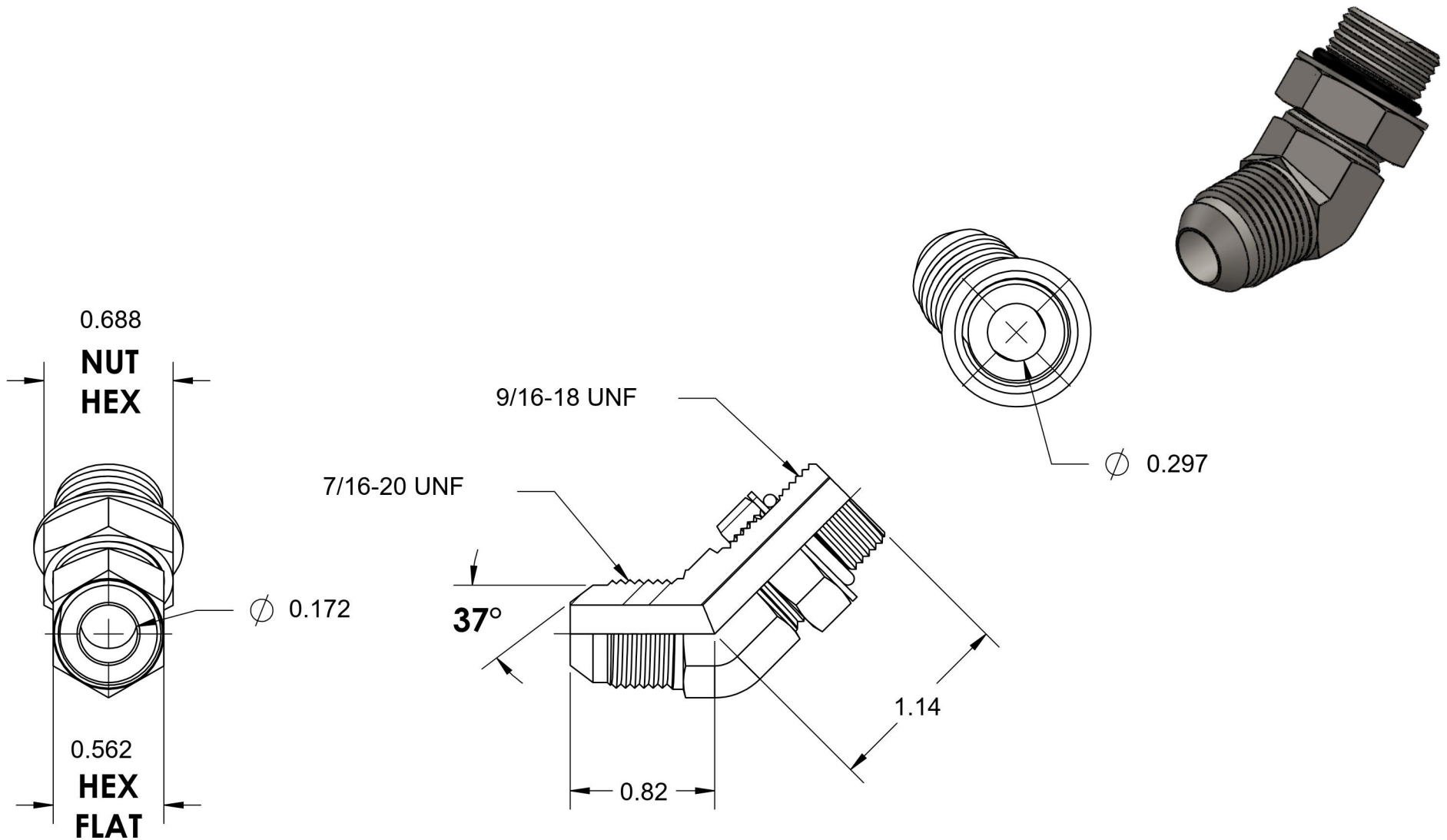


6802-04-06-NWO-FG

Steel, SAE J514 37° Flare 45° Adjustable Port Elbow, 1/4" Male JIC x 9/16-18 Male Adjustable ORB



6701 Cochran Road
Solon, Ohio 44139
Phone: (440) 248-1880
Toll Free: 1-888-331-1523

| | | | |
|---------------------------|-----------------|---------------------------|---|
| Temperature Rating | Material | Industry Standards | Series |
| -40°F to 250°F | C1045 Steel | SAE J514, SAE J1926-3 | 6802-NWO-FG |
| Pressure Rating | Finish | SAE J515, ASTM B633 | Series Description |
| 6000 psi | Trivalent Zinc | | SAE J514 37° Flare 45° Adjustable Port Elbow |